

## DOMINO

The linear smooth tile.

- Generous adjustment range of 12 mm per tile
- First-class raw materials ensure exceptional homogeneity with low shrinkage, and the high level of iron oxide creates brilliantly intense authentic colours
- Very pronounced recess shape at the vertical interlock
- Can be used in ancillary buildings with bonded coverage for roof pitches of 25° and above, without additional measures, in accordance with Central Association of the German Roofing Trade (ZVDH) guidelines
- DOMINO has a single vertical interlock. But how! The very pronounced recess shape provides optimum water control, even in the fiercest storms. The stepped overlaps reliably protect against penetration by water and dirt

### TECHNICAL DATA

Size (appr.)	257 x 436 mm
Covering width min. approx.	224 mm
Covering width on av. approx.	225 mm
Max. coverage width (approx.)	226 mm
Min. gauge (approx.)	343 mm
Covering length on av. approx.	348 mm
Max. gauge (approx.)	354 mm
Tile requirement min. (approx.)	12.4 pcs/m <sup>2</sup>
Average tile requirement (approx.)	12.7 pcs/m <sup>2</sup>
Brickware max. approx.	13.1 pcs/m <sup>2</sup>
Unit weight (approx.)	4.2 kg/piece
Weight per m <sup>2</sup> (approx.)	53.3 kg/m <sup>2</sup>
Weight per pallet (approx.)	1033 kg
Pcs per mini-pack	4 piece
Pcs per pallet	240 piece



## APPLICATIONS

ADDITIONAL MEASURES ACCORDING TO CREATON MANUFACTURER'S SPECIFICATIONS	
Standard roof pitch CREATON DE in combination with additional measures according to manufacturer's specifications Standard roof pitch CREATON DE in combination with additional measures according to manufacturer's specifications	18 °
Installation of a trussing sheet/glued sub-roof without nail seals, possible CREATON products: DUO extra, DUO longlife ND extra, TRIO extra, QUATTRO longlife extra	≥ 18 °
Installation of a trussing sheet/glued sub-roof without nail seals, possible CREATON products: DUO longlife ND extra	≥ 16 °
Installation of a trussing sheet/glued sub-roof with nail seals, possible CREATON products: DUO extra, DUO longlife ND extra, TRIO extra, QUATTRO longlife extra	≥ 16 °
Installation as a rainproof sub-roof, possible CREATON products: DUO longlife ND extra, TRIO extra, QUATTRO longlife extra	≥ 14 °
Installation as a watertight sub-roof, possible CREATON products: QUATTRO longlife extra	≥ 10 °
Installation as a watertight sub-roof welded in a 7° special solution, please observe separate installation guidelines, possible CREATON products: QUATTRO longlife extra	-

## TECHNICAL INFORMATIONS

- The technical drawing shown is merely an example.
- According to the Central Association of the German Roofing Trade (ZVDH) rules for verge tiles, the distance between the inner edge of the verge lug and the outer edge of the gable wall or cladding must be at least 1 cm.
- Current national rules and standards apply to the execution of roofing work. These vary from country to country (e.g. ZVDH Rules, Austrian Standards) and must be taken into consideration during execution. As manufacturer's information, CREATON-specific information about the execution of the sub-roof is also applicable and is complementary to these. You can find them in our Roof Planner or at [www.creaton.de](http://www.creaton.de) / [www.creaton.at](http://www.creaton.at).
- Please consider the sample letter for the standard CREATON roof pitches.



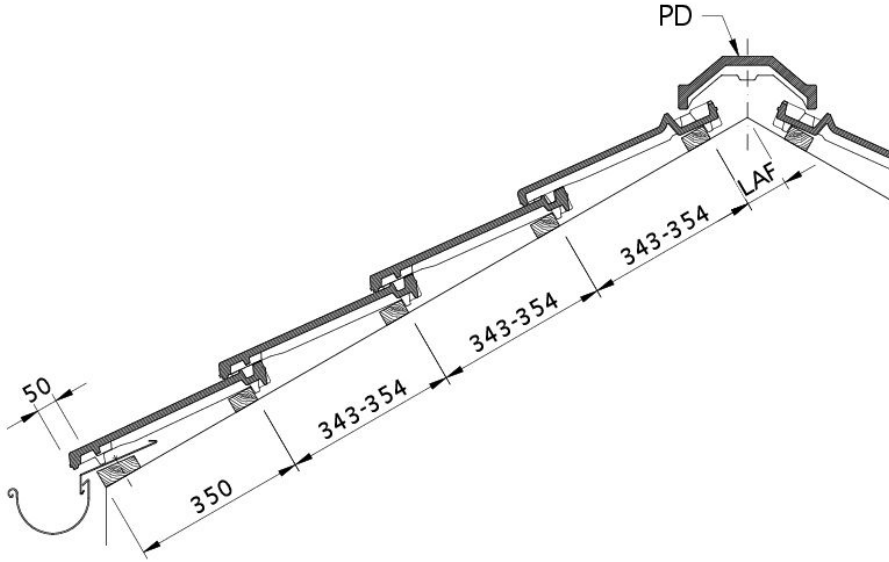
## LAF-/FLA-VALUES

LAF-/FLA VALUES IN MM WITH FALZ FOR 30X50-BATTENS										
requirement ridgetile (approx.)	DN	15°	20°	25°	30°	35°	40°	45°	50°	55°
PD 2.5 pcs/m	LAF	95	90	85	85	85	85	85	85	85
PD 2.5 pcs/m	FLA	85	80	70	60	50	40	30	25	15

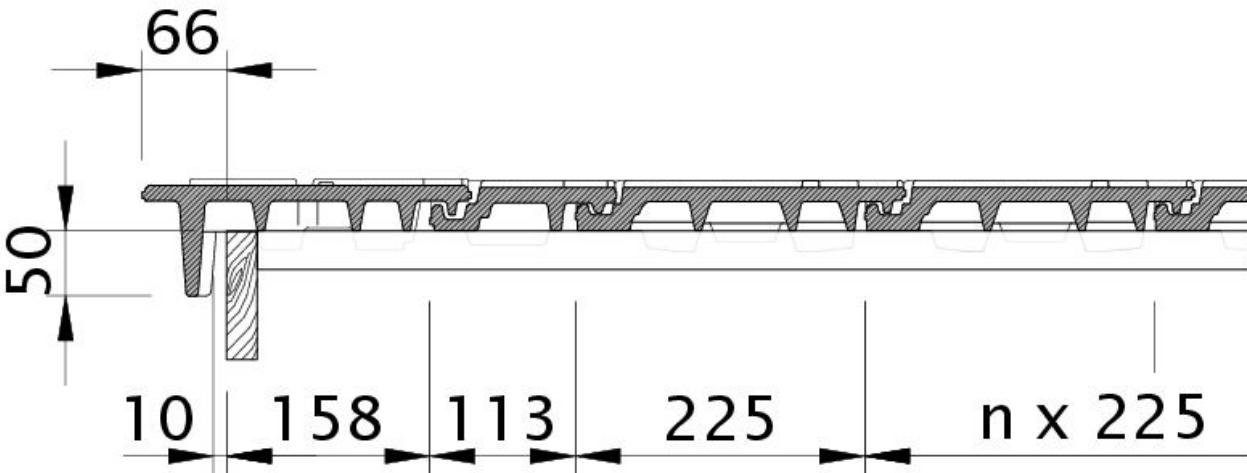
LAF-/FLA VALUES IN MM WITH FALZ FOR 40X60-BATTENS										
requirement ridgetile (approx.)	DN	15°	20°	25°	30°	35°	40°	45°	50°	55°
PD 2.5 pcs/m	LAF	95	90	80	80	80	80	75	70	70
PD 2.5 pcs/m	FLA	95	90	80	70	60	50	40	35	25

LAF-/FLA VALUES IN MM WITH FALZ FOR 50X50-BATTENS										
requirement ridgetile (approx.)	DN	15°	20°	25°	30°	35°	40°	45°	50°	55°
PD 2.5 pcs/m	LAF	90	85	75	75	70	70	65	60	60
PD 2.5 pcs/m	FLA	105	100	90	80	75	65	55	55	45



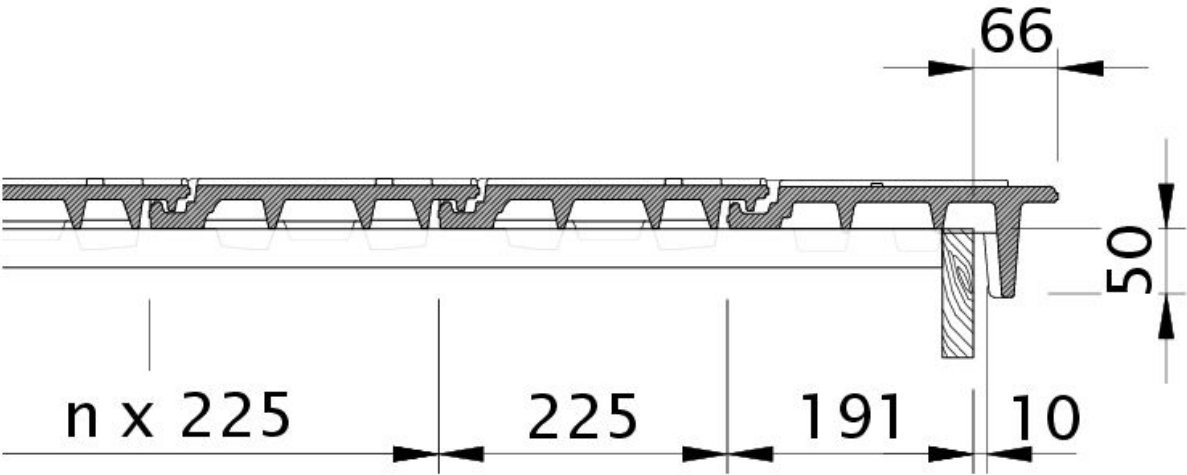


Drawing DOMINO roof cross-section DQF

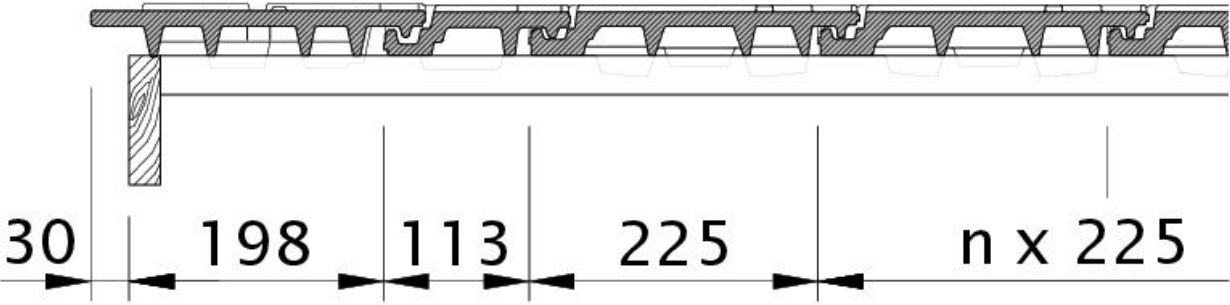


Drawing DOMINO verge tile left with barge board OBL



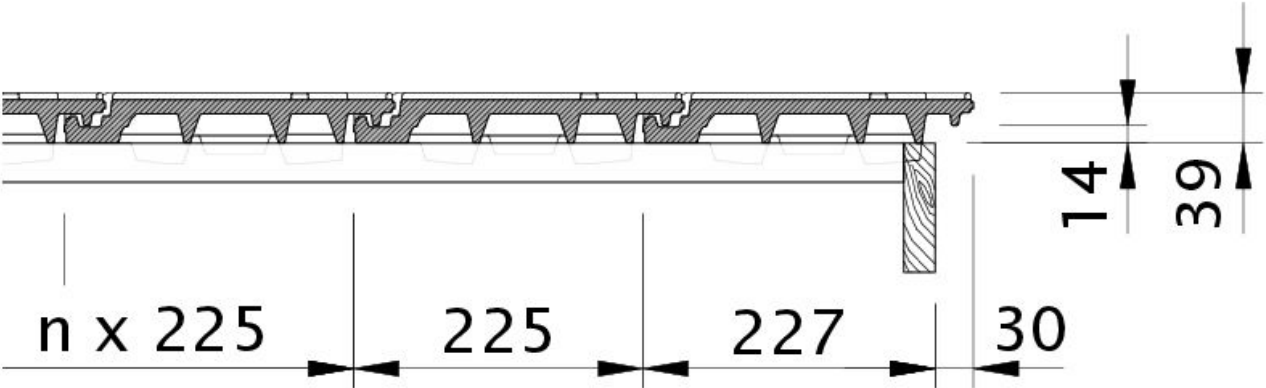


Drawing DOMINO verge tile right with barge board OBR

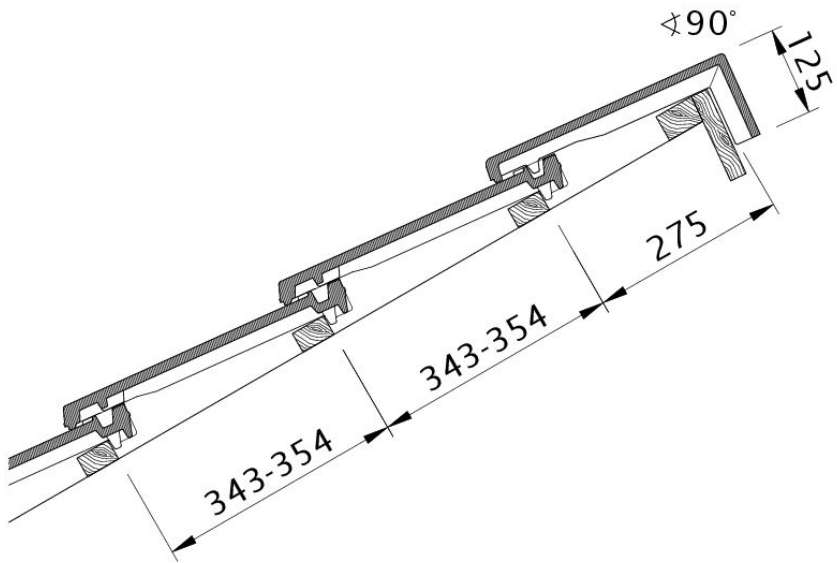


Drawing DOMINO ODL ODL



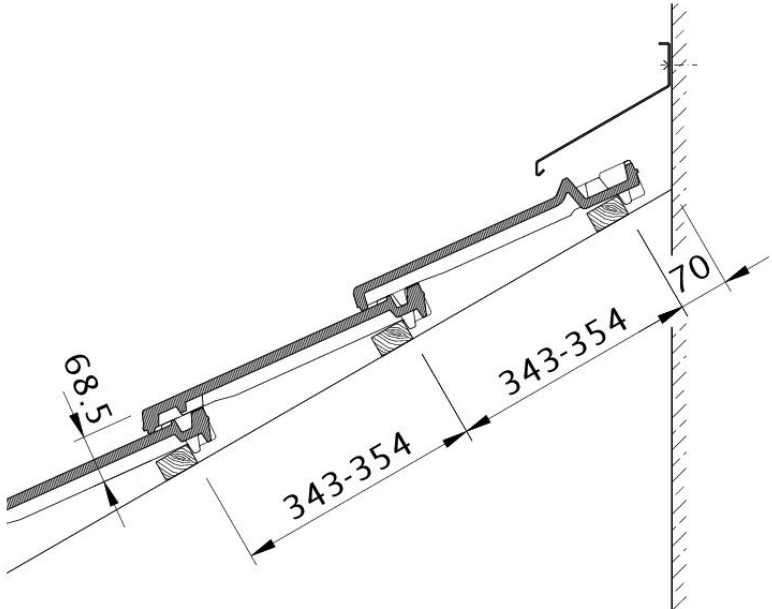


Drawing DOMINO verge right with verge sheet metal and field tile OFR

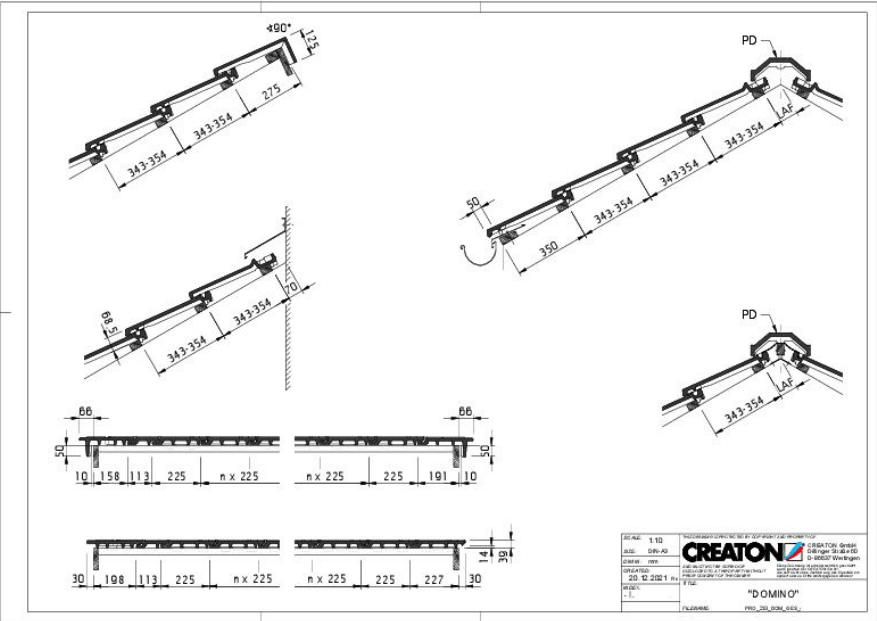


Drawing DOMINO shed roof version PDA



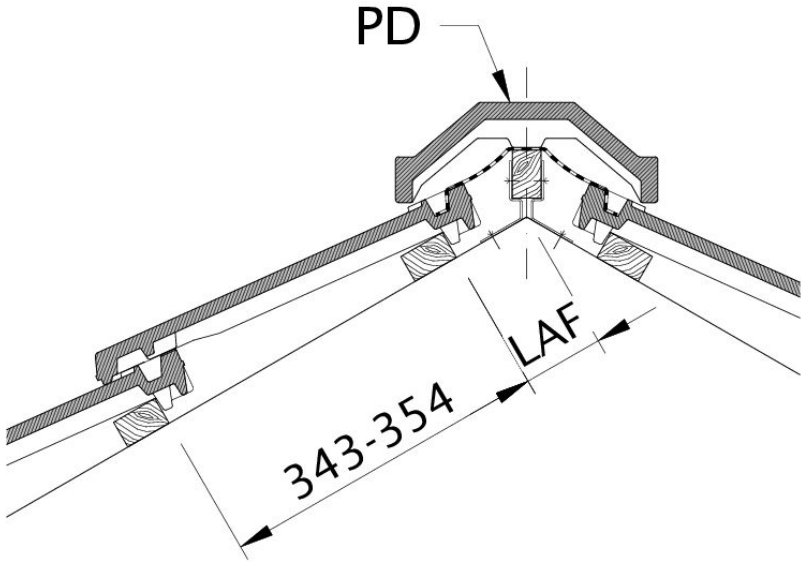


Drawing DOMINO wall connection (above) with FALZ WMF



Drawing DOMINO general view GES





Drawing DOMINO distance from batten to ridge intersection point, ridge batten spacing LAF

---

