

RUSTICO

The rustic interlocking tile.

- Traditional design
- Quick and easy installation thanks to versatile coverage dimensions up to 21 mm Ideal for refurbishment projects
- Dual channels allow water to drain away effectively
- Symmetrical longitudinal channels add to the rustic charm

TECHNICAL DATA

| | |
|-------------------------------------|-------------------------|
| Size (appr.) | 225 x 405 mm |
| Covering width min. approx. | 198 mm |
| Covering width on av. approx. | 200 mm |
| Max. coverage width (approx.) | 202 mm |
| Min. gauge (approx.) | 328 mm |
| Covering length on av. approx. | 338 mm |
| Max. gauge (approx.) | 348 mm |
| Tile requirement min. (approx.) | 14.2 pcs/m ² |
| Average tile requirement (approx.) | 14.7 pcs/m ² |
| Brickware max. approx. | 15.3 pcs/m ² |
| Unit weight (approx.) | 3.1 kg/piece |
| Weight per m ² (approx.) | 45.6 kg/m ² |
| Weight per pallet (approx.) | 769 kg |
| Pcs per mini-pack | 5 piece |
| Pcs per pallet | 240 piece |



APPLICATIONS

| ADDITIONAL MEASURES ACCORDING TO CREATON MANUFACTURER'S SPECIFICATIONS | |
|--|--------|
| Standard roof pitch CREATON DE in combination with additional measures according to manufacturer's specifications Standard roof pitch CREATON DE in combination with additional measures according to manufacturer's specifications | 18 ° |
| Installation of a trussing sheet/glued sub-roof without nail seals, possible CREATON products: DUO extra, DUO longlife ND extra, TRIO extra, QUATTRO longlife extra | ≥ 18 ° |
| Installation of a trussing sheet/glued sub-roof without nail seals, possible CREATON products: DUO longlife ND extra | ≥ 16 ° |
| Installation of a trussing sheet/glued sub-roof with nail seals, possible CREATON products: DUO extra, DUO longlife ND extra, TRIO extra, QUATTRO longlife extra | ≥ 16 ° |
| Installation as a rainproof sub-roof, possible CREATON products: DUO longlife ND extra, TRIO extra, QUATTRO longlife extra | ≥ 14 ° |
| Installation as a watertight sub-roof, possible CREATON products: QUATTRO longlife extra | ≥ 10 ° |
| Installation as a watertight sub-roof welded in a 7° special solution, please observe separate installation guidelines, possible CREATON products: QUATTRO longlife extra | - |

TECHNICAL INFORMATIONS

- The technical drawing shown is merely an example.
- According to the Central Association of the German Roofing Trade (ZVDH) rules for verge tiles, the distance between the inner edge of the verge lug and the outer edge of the gable wall or cladding must be at least 1 cm.
- Current national rules and standards apply to the execution of roofing work. These vary from country to country (e.g. ZVDH Rules, Austrian Standards) and must be taken into consideration during execution. As manufacturer's information, CREATON-specific information about the execution of the sub-roof is also applicable and is complementary to these. You can find them in our Roof Planner or at www.creaton.de / www.creaton.at.
- Please consider the sample letter for the standard CREATON roof pitches.

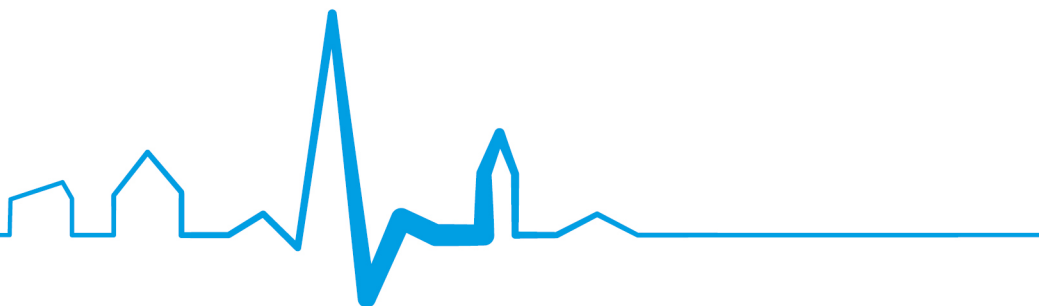


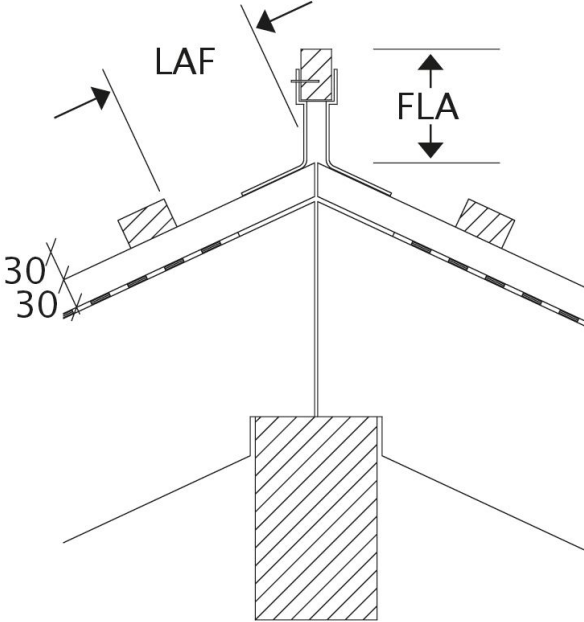
LAF-/FLA-VALUES

| LAF-/FLA VALUES IN MM WITH FALZ FOR 30X50-BATTENS | | | | | | | | | | | | |
|---|-----|-----|-----|-----|-----|-----|-----|-----|-----|-----|-----|-----|
| requirement ridgetile (approx.) | DN | 10° | 15° | 20° | 25° | 30° | 35° | 40° | 45° | 50° | 55° | 60° |
| PRU 2.5 pcs/m | LAF | 80 | 75 | 75 | 70 | 65 | 60 | 55 | 50 | 50 | 45 | 45 |
| PRU 2.5 pcs/m | FLA | 100 | 95 | 85 | 80 | 75 | 65 | 60 | 55 | 45 | 40 | 35 |

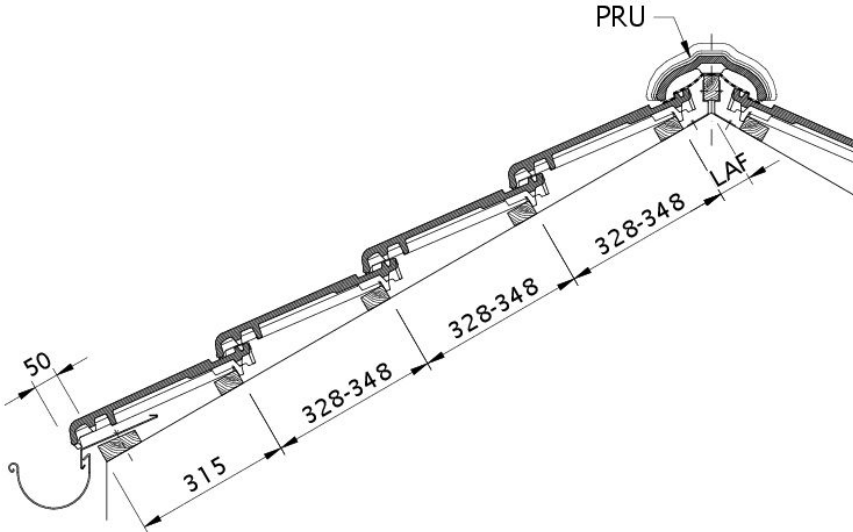
| LAF-/FLA VALUES IN MM WITH FALZ FOR 40X60-BATTENS | | | | | | | | | | | | |
|---|-----|-----|-----|-----|-----|-----|-----|-----|-----|-----|-----|-----|
| requirement ridgetile (approx.) | DN | 10° | 15° | 20° | 25° | 30° | 35° | 40° | 45° | 50° | 55° | 60° |
| PRU 2.5 pcs/m | LAF | 80 | 80 | 75 | 65 | 60 | 55 | 50 | 40 | 35 | 30 | 30 |
| PRU 2.5 pcs/m | FLA | 110 | 105 | 95 | 90 | 85 | 75 | 70 | 65 | 55 | 50 | 45 |

| LAF-/FLA VALUES IN MM WITH FALZ FOR 50X50-BATTENS | | | | | | | | | | | | |
|---|-----|-----|-----|-----|-----|-----|-----|-----|-----|-----|-----|-----|
| requirement ridgetile (approx.) | DN | 10° | 15° | 20° | 25° | 30° | 35° | 40° | 45° | 50° | 55° | 60° |
| PRU 2.5 pcs/m | LAF | 75 | 75 | 70 | 60 | 55 | 45 | 40 | 30 | 25 | 20 | 20 |
| PRU 2.5 pcs/m | FLA | 115 | 110 | 105 | 100 | 95 | 90 | 85 | 80 | 75 | 70 | 65 |



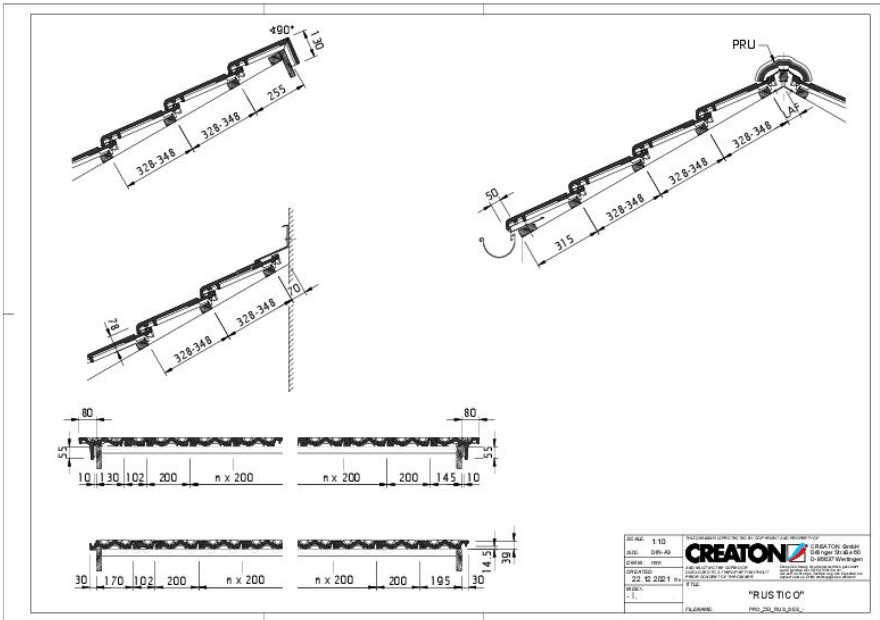


Drawing all models LAF-FLA

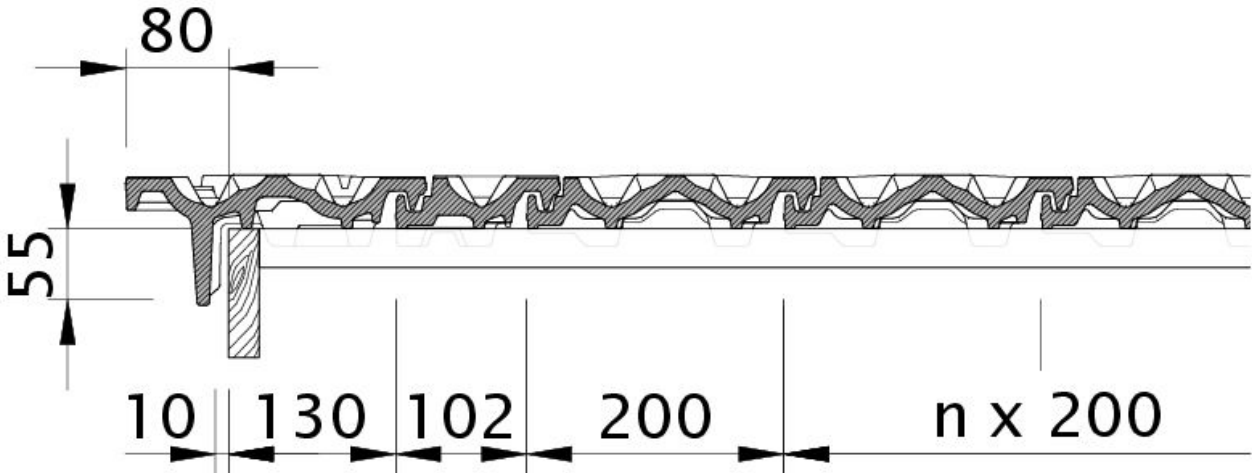


Drawing RUSTICO roof cross-section DQF



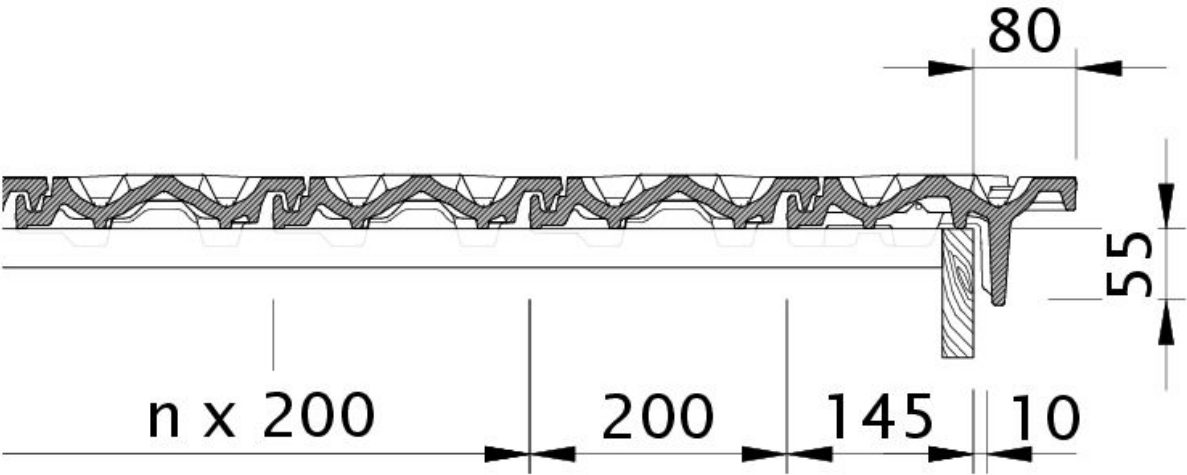


Drawing RUSTICO general view GES

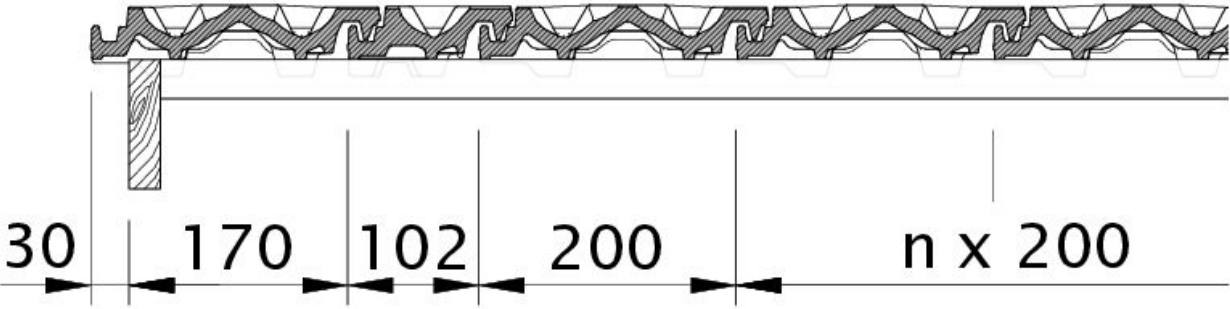


Drawing RUSTICO verge tile left with barge board OBL



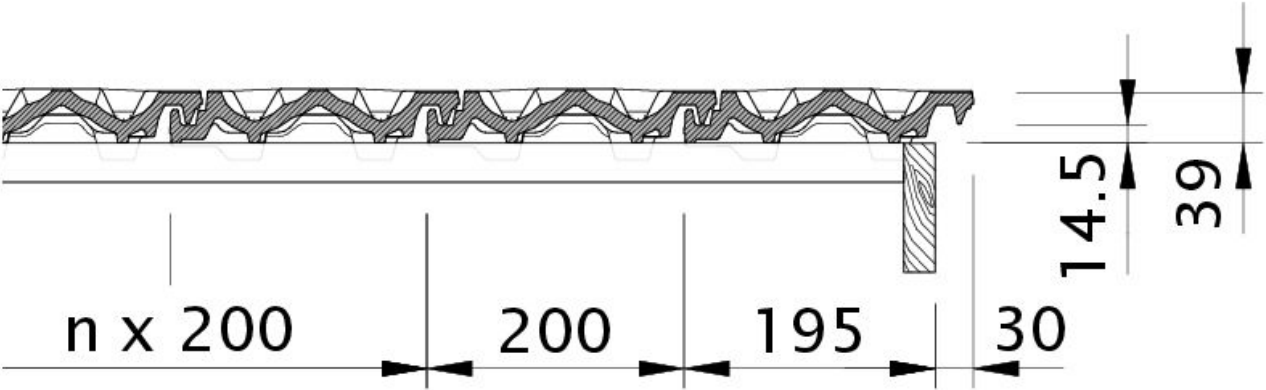


Drawing RUSTICO verge tile right with barge board OBR

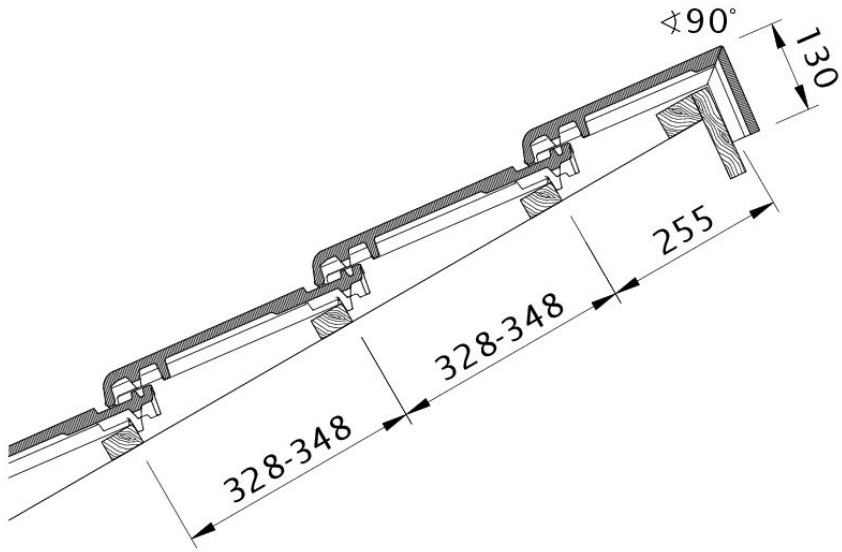


Drawing RUSTICO verge left with verge sheet metal and double roll OD



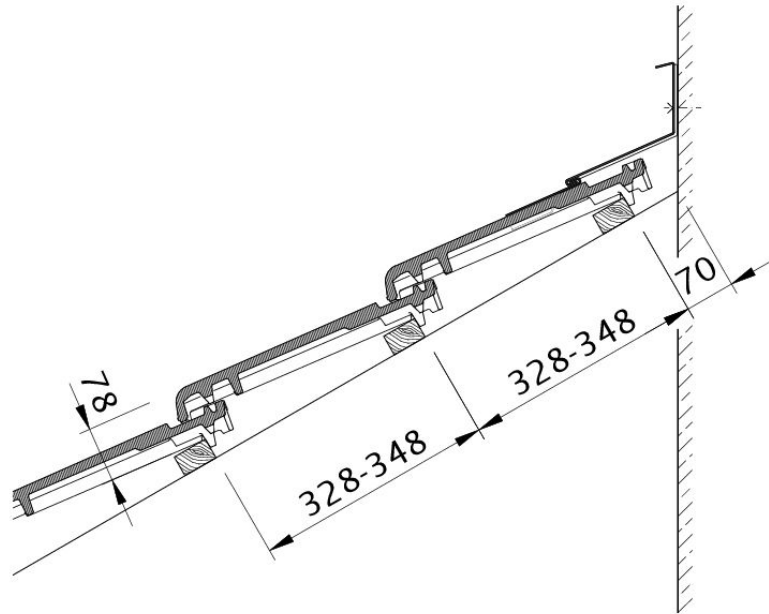


Drawing RUSTICO verge right with verge sheet metal and field tile OFR



Drawing RUSTICO shed roof version PDA





Drawing RUSTICO wall connection (above) with FALZ WMF

