

## KLASSIK ROUND CUT

- Use our most extensive range of applications yet to create your own bespoke roofing solutions
- Ideal for renovations and new-builds alike
- Elegantly understated, our timeless shapes create classically beautiful roofs
- Add individuality to roofscapes
- Wide range of colours and surface finishes

### TECHNICAL DATA

Size (appr.)	180 x 380 x 14 mm
Max. coverage width (approx.)	180 mm
Min. gauge (approx.)	145 mm
Covering length on av. approx.	155 mm
Max. gauge (approx.)	165 mm
Tile requirement min. (approx.)	33.6 pcs/m <sup>2</sup>
Average tile requirement (approx.)	36 pcs/m <sup>2</sup>
Unit weight (approx.)	1.8 kg/piece
Weight per m <sup>2</sup> (approx.)	64.8 kg/m <sup>2</sup>
Weight per pallet (approx.)	927 kg
Pcs per mini-pack	8 piece
Pcs per pallet	480 piece



## APPLICATIONS

ADDITIONAL MEASURES ACCORDING TO CREATON MANUFACTURER'S SPECIFICATIONS	
Standard roof pitch CREATON DE in combination with additional measures according to manufacturer's specifications Standard roof pitch CREATON DE in combination with additional measures according to manufacturer's specifications	24 °
Installation of a trussing sheet/glued sub-roof without nail seals, possible CREATON products: DUO extra, DUO longlife ND extra, TRIO extra, QUATTRO longlife extra	≥ 24 °
Installation of a trussing sheet/glued sub-roof without nail seals, possible CREATON products: DUO longlife ND extra	≥ 22 °
Installation of a trussing sheet/glued sub-roof with nail seals, possible CREATON products: DUO extra, DUO longlife ND extra, TRIO extra, QUATTRO longlife extra	≥ 22 °
Installation as a rainproof sub-roof, possible CREATON products: DUO longlife ND extra, TRIO extra, QUATTRO longlife extra	≥ 18 °
Installation as a watertight sub-roof, possible CREATON products: QUATTRO longlife extra	≥ 10 °
Installation as a watertight sub-roof welded in a 7° special solution, please observe separate installation guidelines, possible CREATON products: QUATTRO longlife extra	-

## TECHNICAL INFORMATIONS

- The technical drawing shown is merely an example.
- According to the Central Association of the German Roofing Trade (ZVDH) rules for verge tiles, the distance between the inner edge of the verge lug and the outer edge of the gable wall or cladding must be at least 1 cm.
- Current national rules and standards apply to the execution of roofing work. These vary from country to country (e.g. ZVDH Rules, Austrian Standards) and must be taken into consideration during execution. As manufacturer's information, CREATON-specific information about the execution of the sub-roof is also applicable and is complementary to these. You can find them in our Roof Planner or at [www.creaton.de](http://www.creaton.de) / [www.creaton.at](http://www.creaton.at).
- Batten spacing / tile gauge is dependent on the roofing type and roof pitch.
- Please consider the sample letter for the standard CREATON roof pitches.



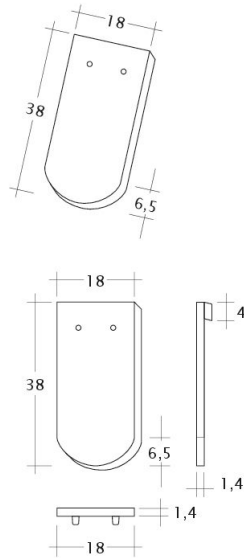
LAF-/FLA-VALUES

LAF-/FLA VALUES IN MM WITH FALZ FOR 30X50-BATTENS										
requirement ridgetile (approx.)	DN	20°	25°	30°	35°	40°	45°	50°	55°	60°
BG 3.0 pcs/m	LAF	90	85	80	80	80	75	75	80	85
BMK 3.0 pcs/m	LAF			60	60	55	55	50	50	45
BMZ 2.7 pcs/m	LAF	90	85	80	75	75	75	75	80	80
BM 3.0 pcs/m	LAF	90	85	80	80	80	75	75	85	85
BZ 3.0 pcs/m	LAF	90	85	80	75	75	75	75	80	

LAF-/FLA VALUES IN MM WITH FALZ FOR 40X60-BATTENS										
requirement ridgetile (approx.)	DN	20°	25°	30°	35°	40°	45°	50°	55°	60°
BG 3.0 pcs/m	LAF	85	80	75	75	75	65	60	65	70
BMK 3.0 pcs/m	LAF			55	55	50	45	35		
BMZ 2.7 pcs/m	LAF	85	80	75	70	70	65	60	65	65
BM 3.0 pcs/m	LAF	85	80	75	75	75	65	60	70	70
BZ 3.0 pcs/m	LAF	85	80	75	70	70	65	60	65	

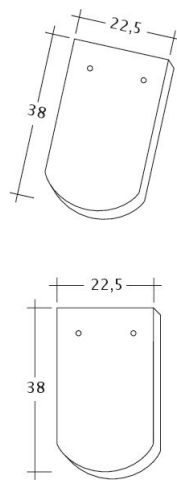
LAF-/FLA VALUES IN MM WITH FALZ FOR 50X50-BATTENS										
requirement ridgetile (approx.)	DN	20°	25°	30°	35°	40°	45°	50°	55°	60°
BG 3.0 pcs/m	LAF	80	75	70	65	65	55	50	55	55
BMK 3.0 pcs/m	LAF			50	45	40	35	25		
BMZ 2.7 pcs/m	LAF	80	75	70	60	60	55	50	55	50
BM 3.0 pcs/m	LAF	80	75	70	65	65	55	50	60	55
BZ 3.0 pcs/m	LAF	80	75	70	60	60	55	50	55	





Drawing KLASSIK 1-1

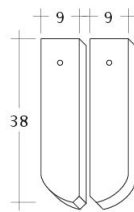
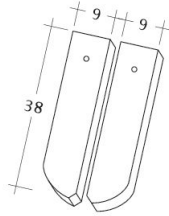
---



Drawing KLASSIK 1-1-4

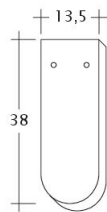
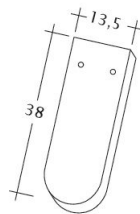
---





Drawing KLASSIK 1-2

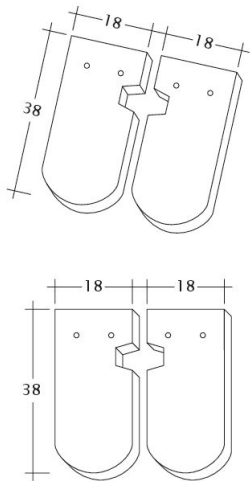
---



Drawing KLASSIK 3-4

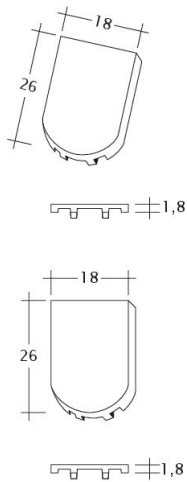
---





Drawing KLASSIK Ausschnitt-LUEFTZ

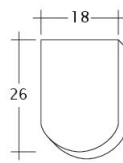
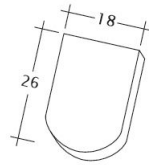
---



Drawing KLASSIK FALZ

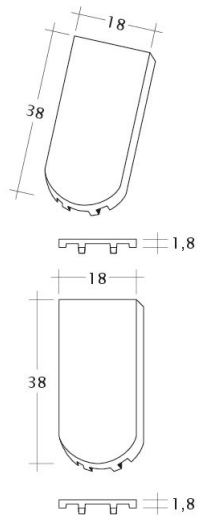
---





Drawing KLASSIK Firstanschluss

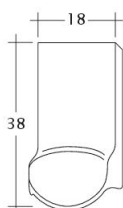
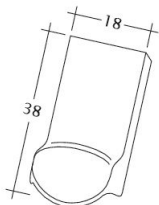
---



Drawing KLASSIK Flaechenluefter

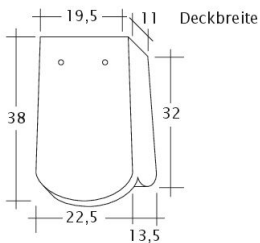
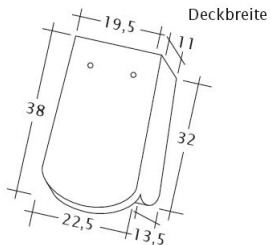
---





Drawing KLASSIK LUEFTZ

---

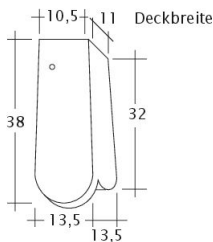
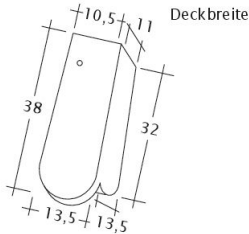


Drawing KLASSIK OG-1-1-4

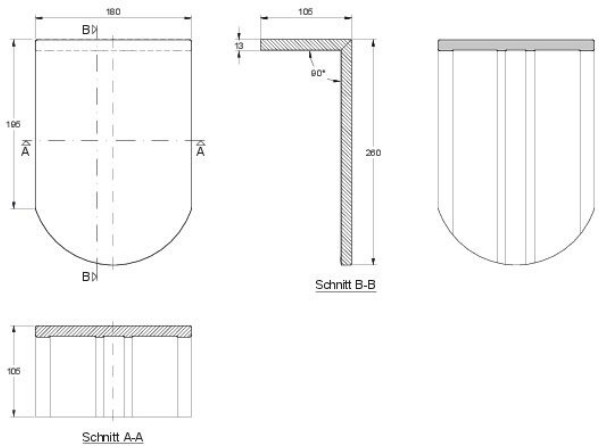
---





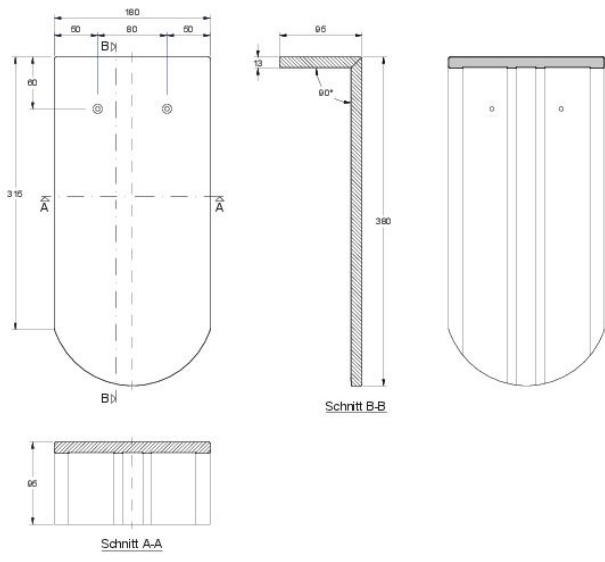


Drawing KLASSIK OG-3-4

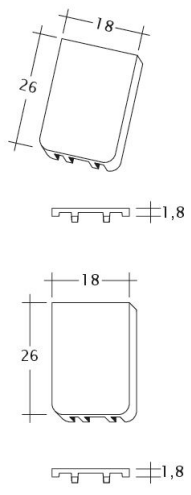


Drawing KLASSIK PULT-kurz



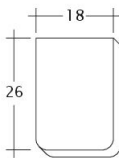
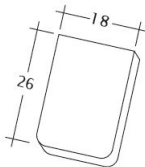


Drawing KLASSIK PULT-lang



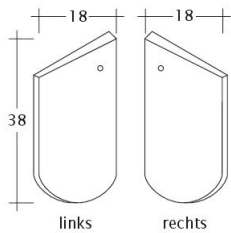
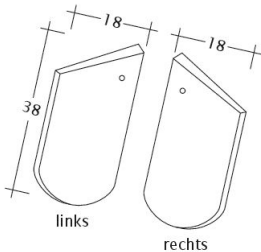
Drawing KLASSIK Traufluefter





Drawing KLASSIK Traufziegel

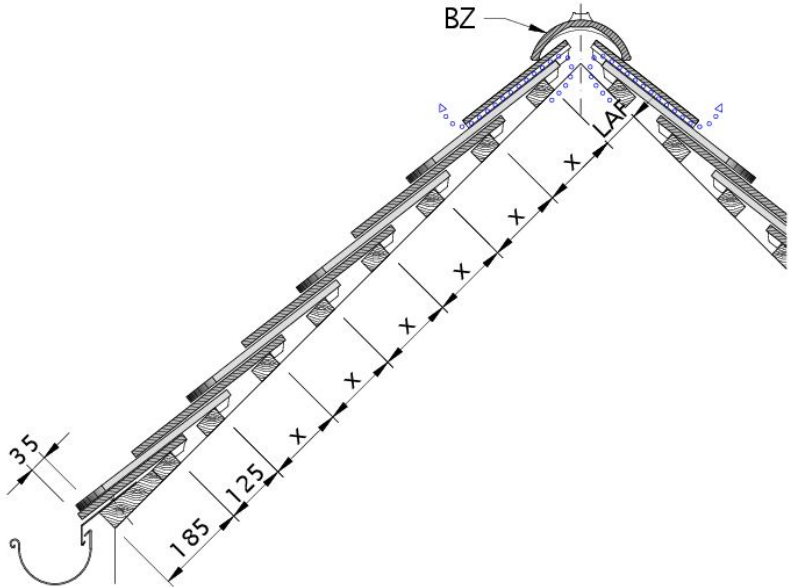
---



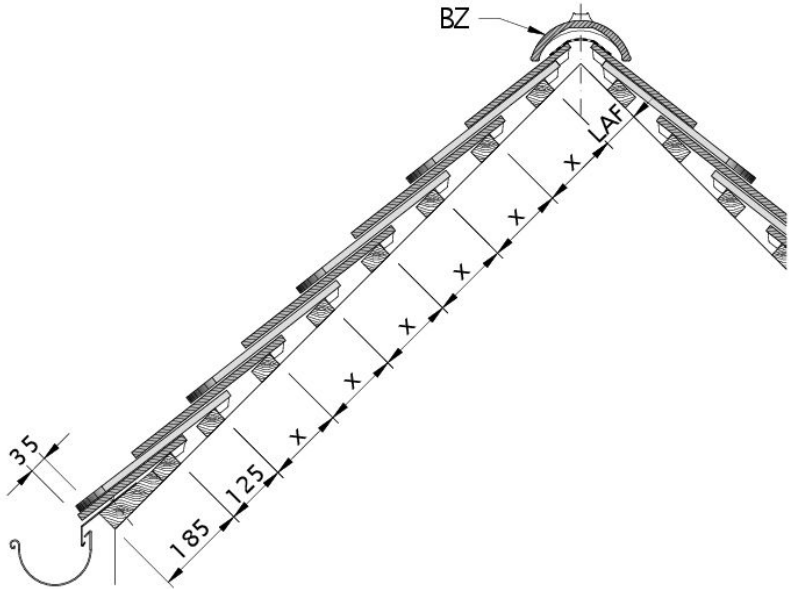
Drawing KLASSIK Unterlaeuffer

---



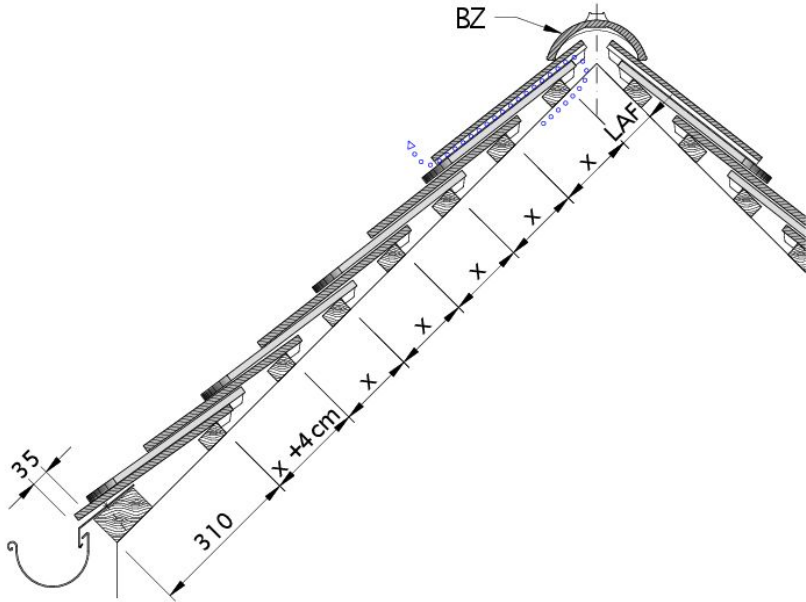


Drawing KLASSIK roof cross-section DQD-1

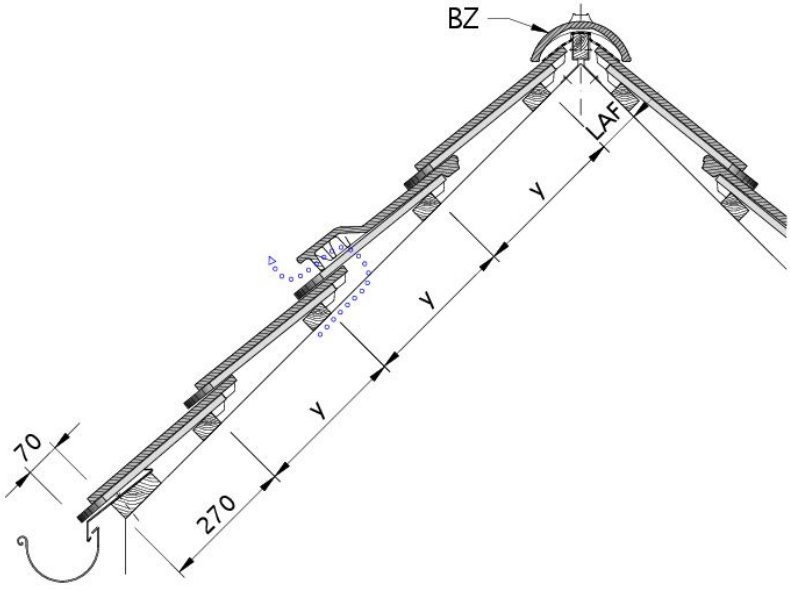


Drawing KLASSIK roof cross-section DQD-2



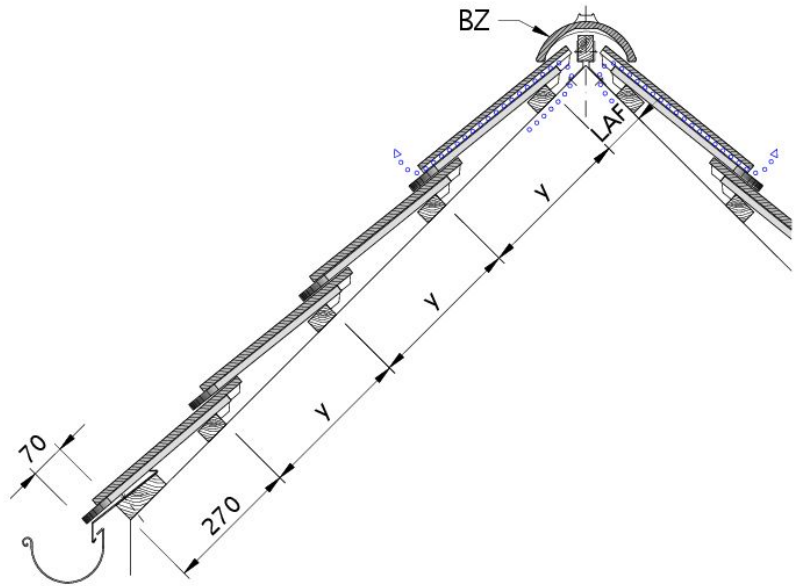


Drawing KLASSIK roof cross-section DQD-3

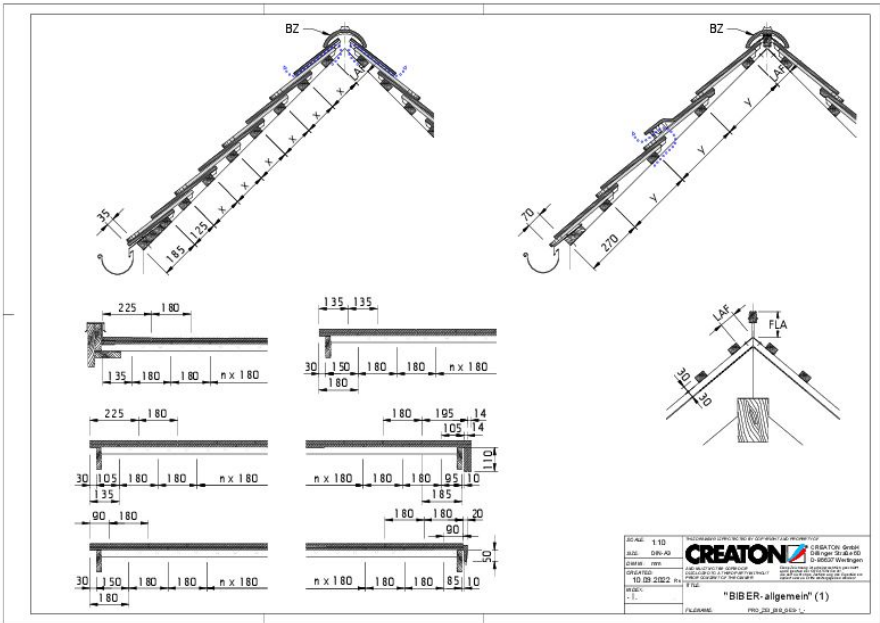


Drawing KLASSIK roof cross-section DQK-1





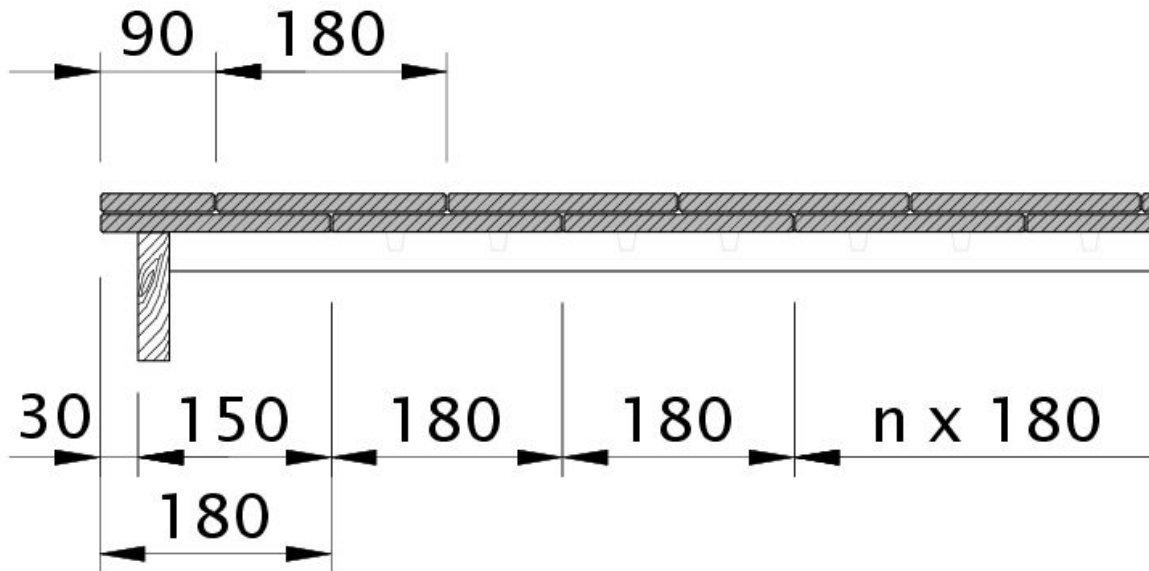
Drawing KLASSIK roof cross-section DQK-2



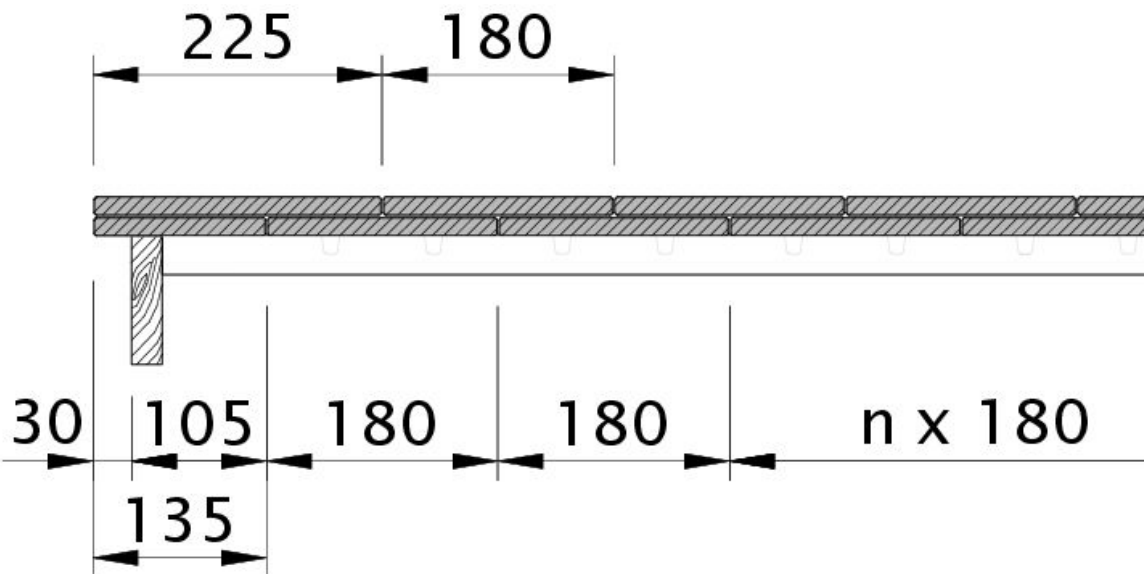
Drawing KLASSIK general view GES-1







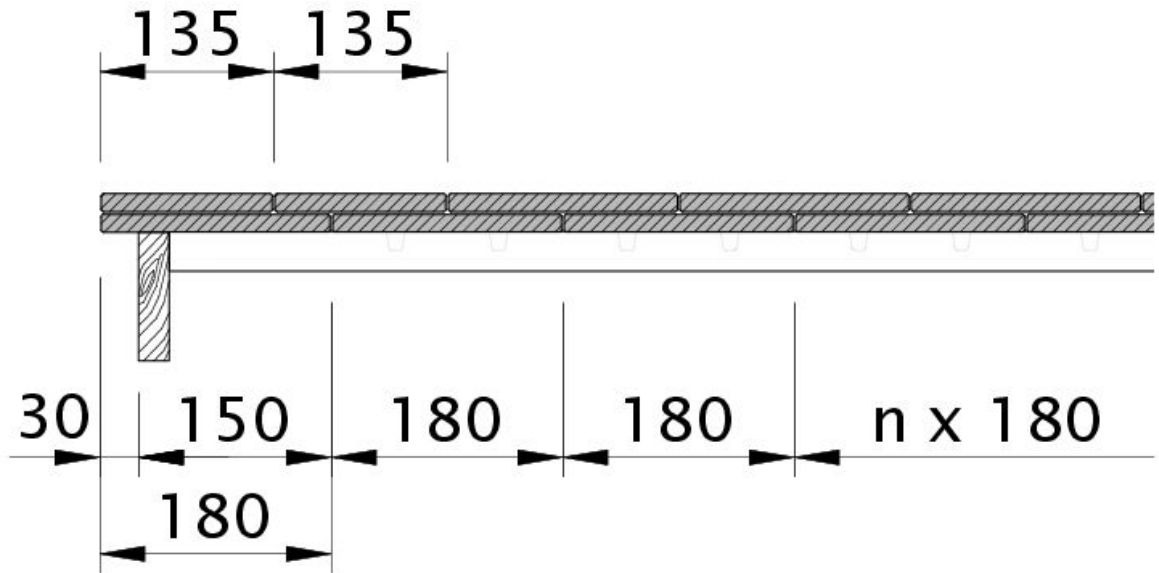
Zeichnung KLASSIK Ortgangziegel links mit Ortgangbrett und 1 1/2 Biber OBL112



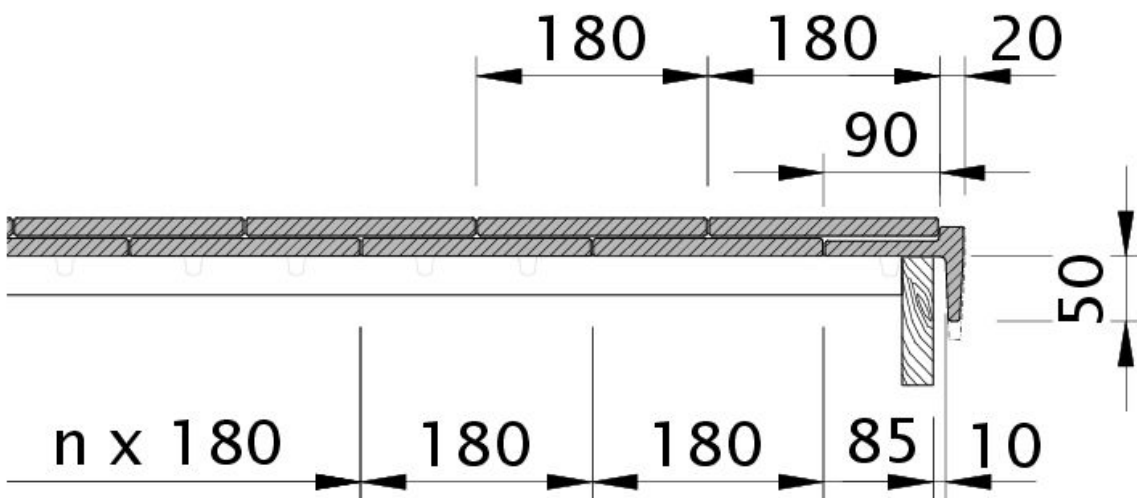
Zeichnung KLASSIK Ortgangziegel links mit Ortgangbrett und 1 1/4 Biber OBL114





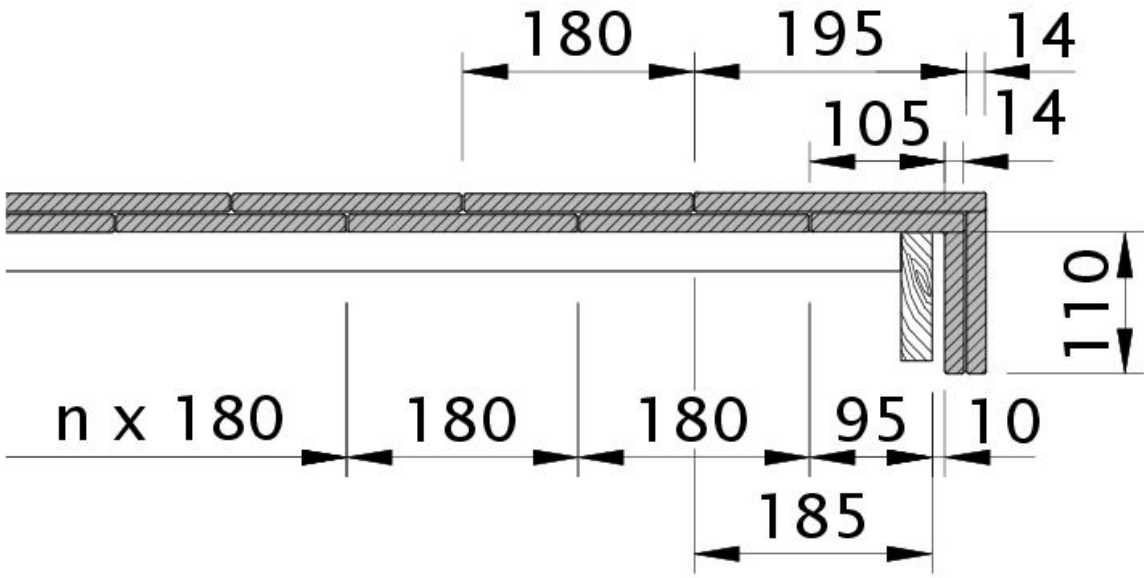


Zeichnung KLASSIK Ortgangziegel links mit Ortgangbrett und 2 3/4 Biber OBL234

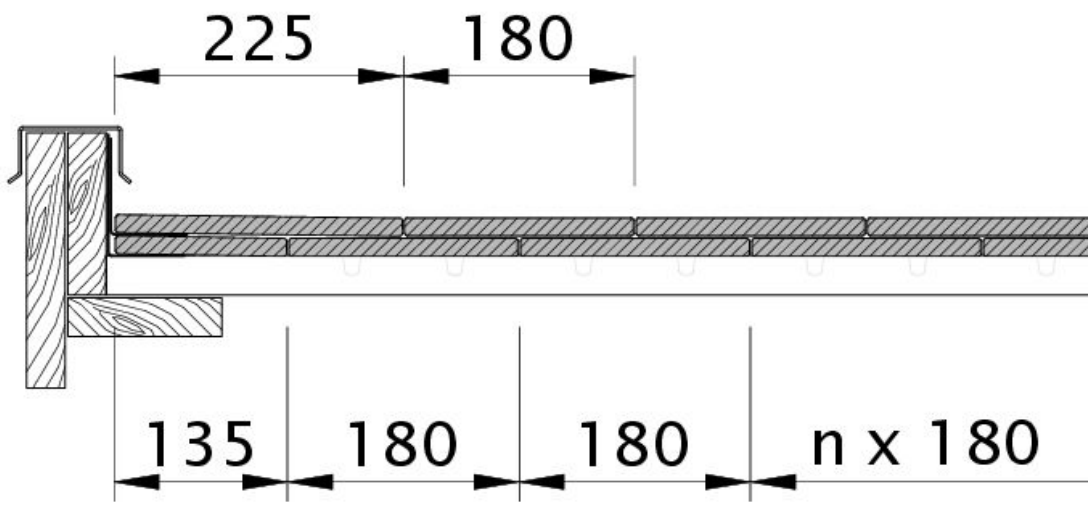


Drawing KLASSIK verge tile right with barge board OBRSCH



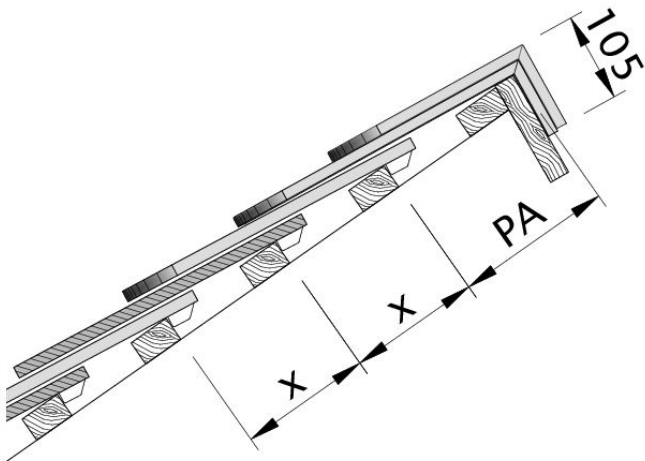


Drawing KLASSIK verge tile right with barge board OBR

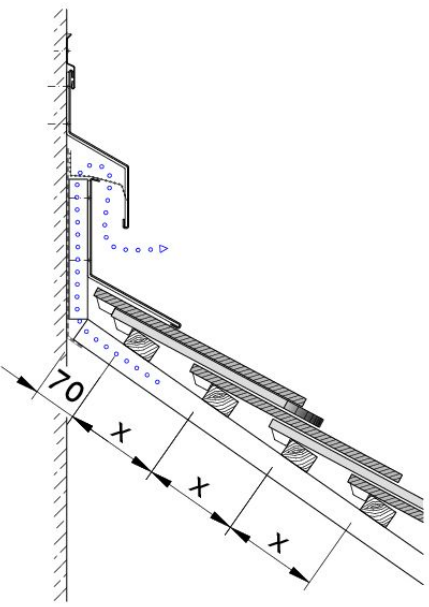


Zeichnung KLASSIK Ortgang links mit Wandanschluss OGLWA



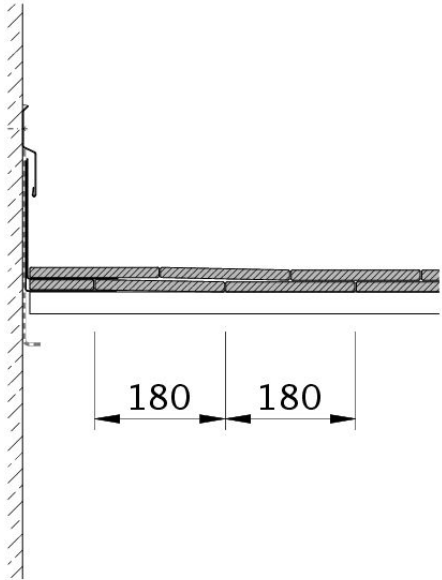


Drawing KLASSIK shed roof version PDA



Drawing KLASSIK wall connection (above) with FALZ WMF-1





Drawing KLASSIK wall connection (above) with FALZ WMF-2

---

