

FUTURA

Seamlessly into the future.

- Generous adjustment range of 29 mm per tile
- 15 captivating colours in four velvety surface finish variants, all from first-class materials
- Seamless coverage and optimum flow behaviour thanks to technically innovative design
- Also suitable for roof pitches as low as 7°, with a waterproof sub-roof
- Labyrinth technology, with five specially-shaped protruding side ribs, prevents rainwater penetration, even in the fiercest storms
- This interlock, the water flow features and especially good cw value make FUTURA an outstanding tile, suitable for very low-pitched and very steep roofs alike

TECHNICAL DATA

Size (appr.)	300 x 482 mm
Covering width min. approx.	235 mm
Covering width on av. approx.	238 mm
Max. coverage width (approx.)	240 mm
Min. gauge (approx.)	360 mm
Covering length on av. approx.	374 mm
Max. gauge (approx.)	388 mm
Tile requirement min. (approx.)	10.8 pcs/m ²
Average tile requirement (approx.)	11.3 pcs/m ²
Brickware max. approx.	11.9 pcs/m ²
Unit weight (approx.)	3.8 kg/piece
Weight per m ² (approx.)	42.9 kg/m ²
Weight per pallet (approx.)	937 kg
Pcs per mini-pack	5 piece
Pcs per pallet	240 piece



APPLICATIONS

ADDITIONAL MEASURES ACCORDING TO CREATON MANUFACTURER'S SPECIFICATIONS	
Standard roof pitch CREATON DE in combination with additional measures according to manufacturer's specifications Standard roof pitch CREATON DE in combination with additional measures according to manufacturer's specifications	14 °
Installation of a trussing sheet/glued sub-roof without nail seals, possible CREATON products: DUO extra, DUO longlife ND extra, TRIO extra, QUATTRO longlife extra	≥ 14 °
Installation of a trussing sheet/glued sub-roof without nail seals, possible CREATON products: DUO longlife ND extra	≥ 12 °
Installation of a trussing sheet/glued sub-roof with nail seals, possible CREATON products: DUO extra, DUO longlife ND extra, TRIO extra, QUATTRO longlife extra	≥ 12 °
Installation as a rainproof sub-roof, possible CREATON products: DUO longlife ND extra, TRIO extra, QUATTRO longlife extra	≥ 10 °
Installation as a watertight sub-roof, possible CREATON products: QUATTRO longlife extra	≥ 10 °
Installation as a watertight sub-roof welded in a 7° special solution, please observe separate installation guidelines, possible CREATON products: QUATTRO longlife extra	≥ 7 °

TECHNICAL INFORMATIONS

- The technical drawing shown is merely an example.
- According to the Central Association of the German Roofing Trade (ZVDH) rules for verge tiles, the distance between the inner edge of the verge lug and the outer edge of the gable wall or cladding must be at least 1 cm.
- Current national rules and standards apply to the execution of roofing work. These vary from country to country (e.g. ZVDH Rules, Austrian Standards) and must be taken into consideration during execution. As manufacturer's information, CREATON-specific information about the execution of the sub-roof is also applicable and is complementary to these. You can find them in our Roof Planner or at www.creaton.de / www.creaton.at.
- All roofs with a roof pitch of 7° - 9° require individual approval from CREATON Applications Technology. CREATON manufacturer's regulations must be complied with during installation.
- Please consider the sample letter for the standard CREATON roof pitches.



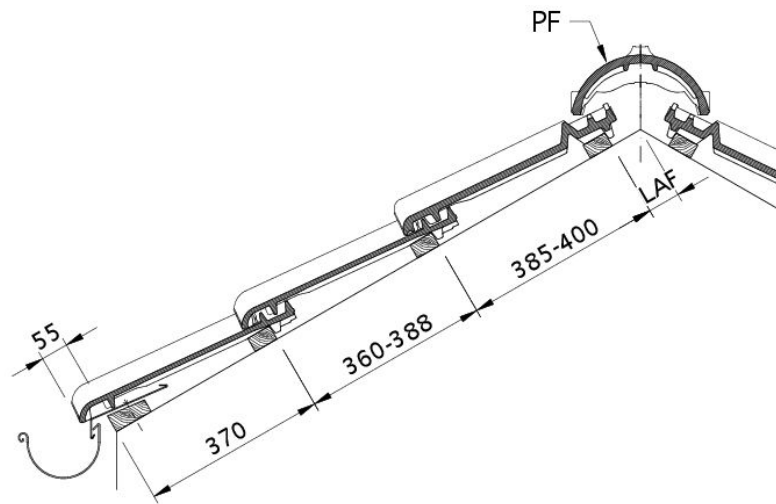
LAF-/FLA-VALUES

LAF-/FLA VALUES IN MM WITH FALZ FOR 30X50-BATTENS												
requirement ridgetile (approx.)	DN	10°	15°	20°	25°	30°	35°	40°	45°	50°	55°	60°
PF 2.5 pcs/m	LAF	80	80	75	70	65	65	60	50	45	45	45
PF 2.5 pcs/m	FLA	100	95	90	80	70	60	55	55	50	50	40
PR 2.5 pcs/m	LAF	80	80	75	70	65	65	60	50	45	45	45
PR 2.5 pcs/m	FLA	100	95	90	80	70	60	55	55	50	50	40

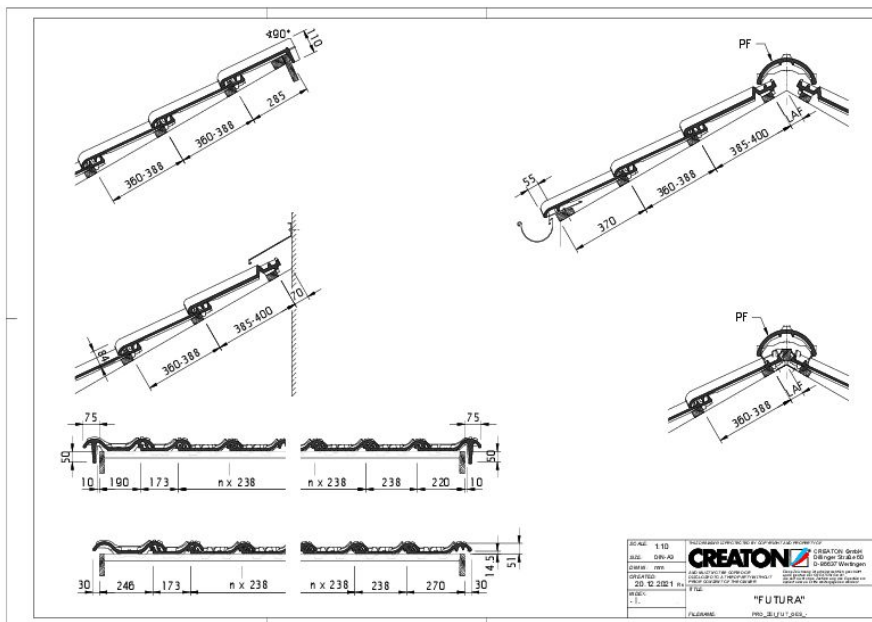
LAF-/FLA VALUES IN MM WITH FALZ FOR 40X60-BATTENS												
requirement ridgetile (approx.)	DN	10°	15°	20°	25°	30°	35°	40°	45°	50°	55°	60°
PF 2.5 pcs/m	LAF	80	80	75	65	60	60	55	40	30	30	30
PF 2.5 pcs/m	FLA	110	105	100	90	80	70	65	65	60	60	50
PR 2.5 pcs/m	LAF	80	80	75	65	60	60	55	40	30	30	30
PR 2.5 pcs/m	FLA	110	105	100	90	80	70	65	65	60	60	50

LAF-/FLA VALUES IN MM WITH FALZ FOR 50X50-BATTENS												
requirement ridgetile (approx.)	DN	10°	15°	20°	25°	30°	35°	40°	45°	50°	55°	60°
PF 2.5 pcs/m	LAF	75	75	70	60	55	50	45	30	20	20	15
PF 2.5 pcs/m	FLA	120	115	110	100	90	85	80	80	80	80	80
PR 2.5 pcs/m	LAF	75	75	70	60	55	50	45	30	20	20	15
PR 2.5 pcs/m	FLA	120	115	110	100	90	85	80	80	80	80	80



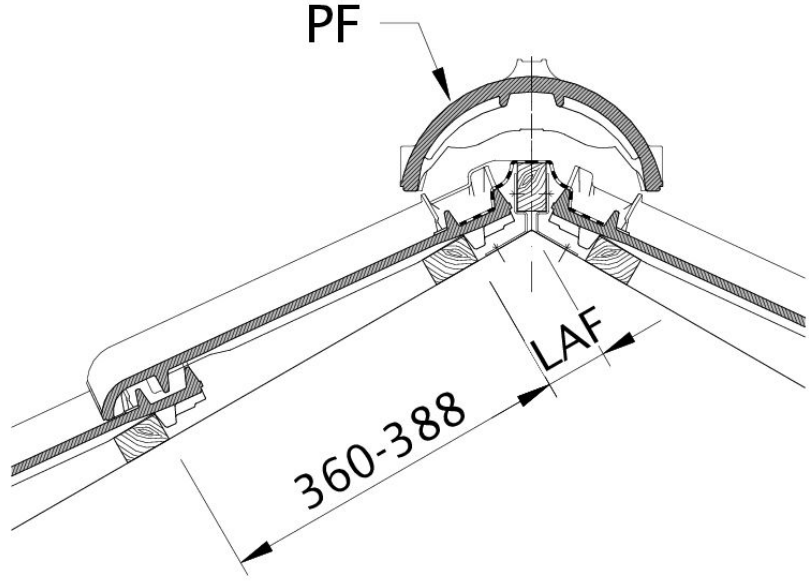


Drawing FUTURA roof cross-section DQF

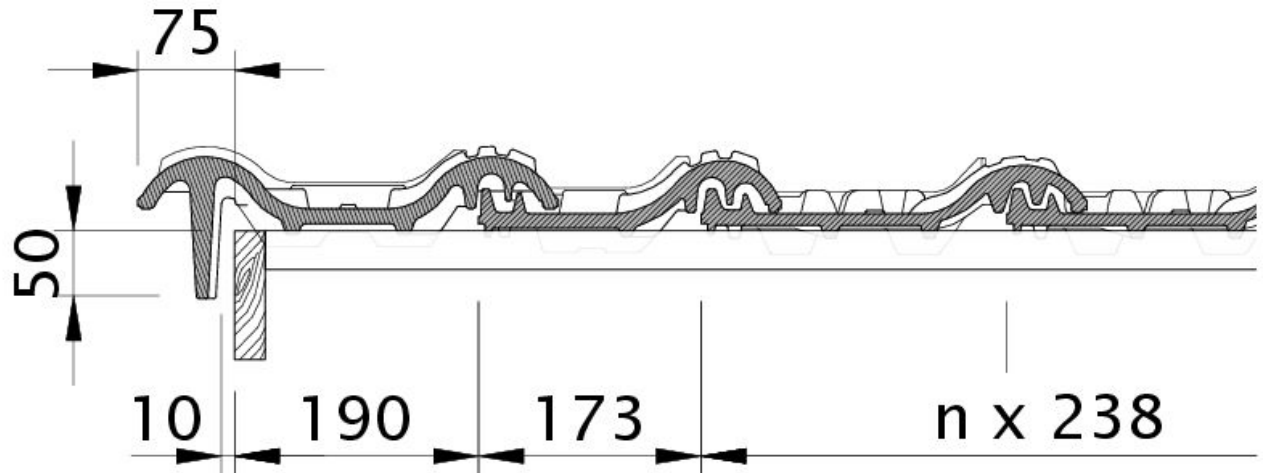


Drawing FUTURA general view GES

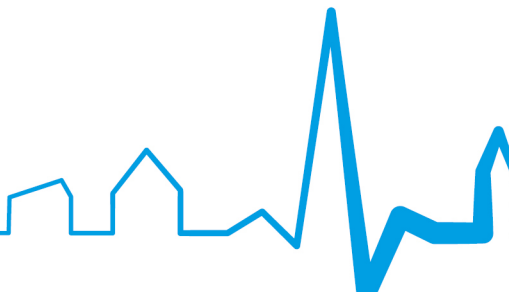


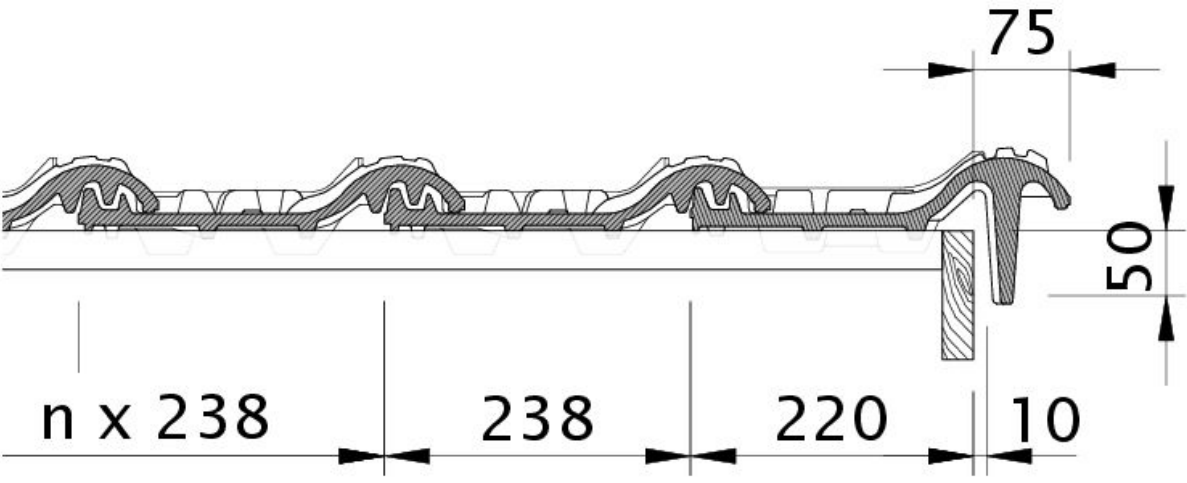


Drawing FUTURA distance from batten to ridge intersection point, ridge batten spacing LAF

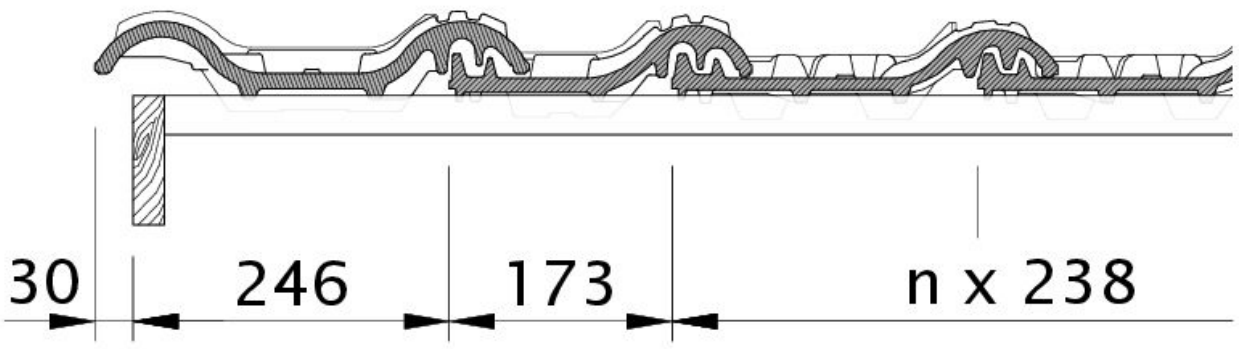


Drawing FUTURA verge tile left with barge board OBL



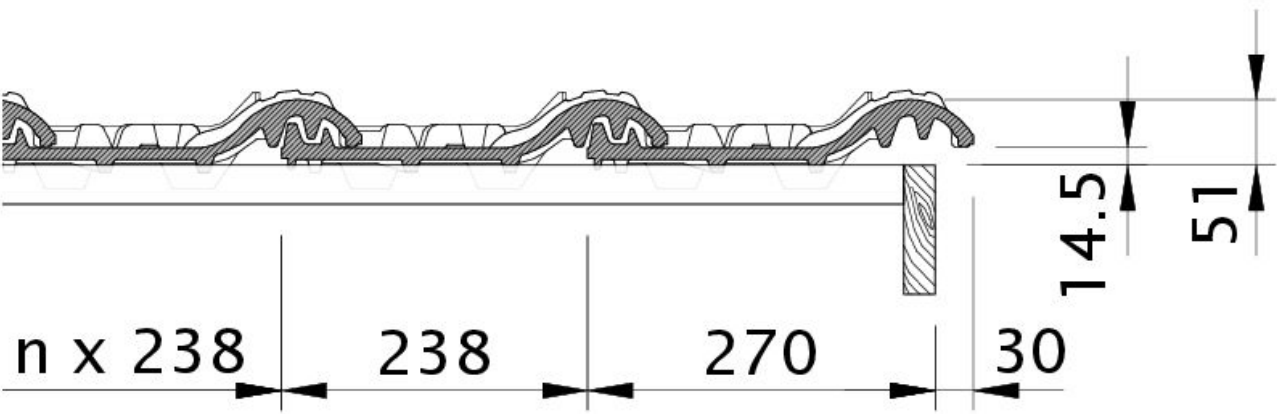


Drawing FUTURA verge tile right with barge board OBR

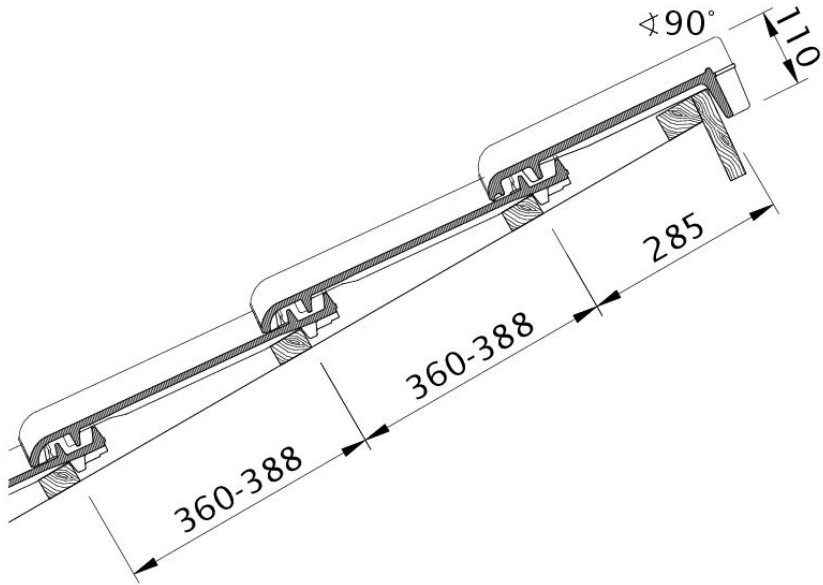


Drawing FUTURA verge left with verge sheet metal and double roll OD



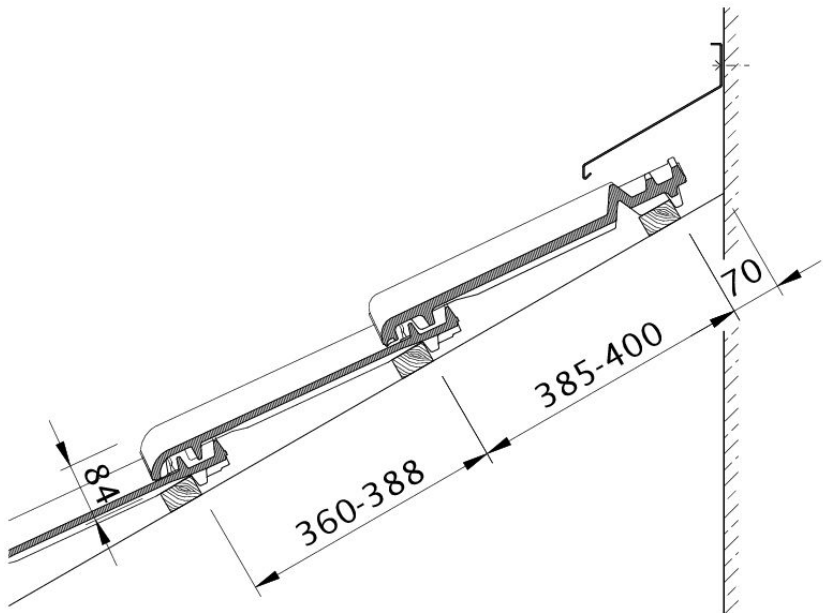


Drawing FUTURA verge right with verge sheet metal and field tile OFR



Drawing FUTURA shed roof version PDA





Drawing FUTURA wall connection (above) with FALZ WMF

