

SINFONIE

The curved interlocking tile with distinctive look.

- Also suitable for flat roofs with a pitch up to 7°, with a waterproof sub-roof
- Exceptional versatility and ease of installation thanks to generous adjustment range of 29 mm
- Sophisticated interlock technology provides effective storm protection
- Support ribs add robustness and channel away any condensed water
- Two robust suspension lugs keep the tile firmly in place and ensure effective ventilation of roof battens.
- Top and bottom interlocking joints ensure best-possible protection against rain intrusion. Designed specifically to channel water away efficiently and effectively, to guarantee truly exceptional water resistance

TECHNICAL DATA

Size (appr.)	300 x 482 mm
Covering width min. approx.	228 mm
Covering width on av. approx.	230 mm
Max. coverage width (approx.)	232 mm
Min. gauge (approx.)	361 mm
Covering length on av. approx.	375 mm
Max. gauge (approx.)	389 mm
Tile requirement min. (approx.)	10.9 pcs/m ²
Average tile requirement (approx.)	11.5 pcs/m ²
Brickware max. approx.	12.2 pcs/m ²
Unit weight (approx.)	4.6 kg/piece
Weight per m ² (approx.)	52.9 kg/m ²
Weight per pallet (approx.)	945 kg
Pcs per mini-pack	5 piece
Pcs per pallet	200 piece



APPLICATIONS

ADDITIONAL MEASURES ACCORDING TO CREATON MANUFACTURER'S SPECIFICATIONS	
Standard roof pitch CREATON DE in combination with additional measures according to manufacturer's specifications Standard roof pitch CREATON DE in combination with additional measures according to manufacturer's specifications	14 °
Installation of a trussing sheet/glued sub-roof without nail seals, possible CREATON products: DUO extra, DUO longlife ND extra, TRIO extra, QUATTRO longlife extra	≥ 14 °
Installation of a trussing sheet/glued sub-roof without nail seals, possible CREATON products: DUO longlife ND extra	≥ 12 °
Installation of a trussing sheet/glued sub-roof with nail seals, possible CREATON products: DUO extra, DUO longlife ND extra, TRIO extra, QUATTRO longlife extra	≥ 12 °
Installation as a rainproof sub-roof, possible CREATON products: DUO longlife ND extra, TRIO extra, QUATTRO longlife extra	≥ 10 °
Installation as a watertight sub-roof, possible CREATON products: QUATTRO longlife extra	≥ 10 °
Installation as a watertight sub-roof welded in a 7° special solution, please observe separate installation guidelines, possible CREATON products: QUATTRO longlife extra	≥ 7 °

TECHNICAL INFORMATIONS

- The technical drawing shown is merely an example.
- According to the Central Association of the German Roofing Trade (ZVDH) rules for verge tiles, the distance between the inner edge of the verge lug and the outer edge of the gable wall or cladding must be at least 1 cm.
- Current national rules and standards apply to the execution of roofing work. These vary from country to country (e.g. ZVDH Rules, Austrian Standards) and must be taken into consideration during execution. As manufacturer's information, CREATON-specific information about the execution of the sub-roof is also applicable and is complementary to these. You can find them in our Roof Planner or at www.creaton.de / www.creaton.at.
- All roofs with a roof pitch of 7° - 9° require individual approval from CREATON Applications Technology. CREATON manufacturer's regulations must be complied with during installation.
- Please consider the sample letter for the standard CREATON roof pitches.



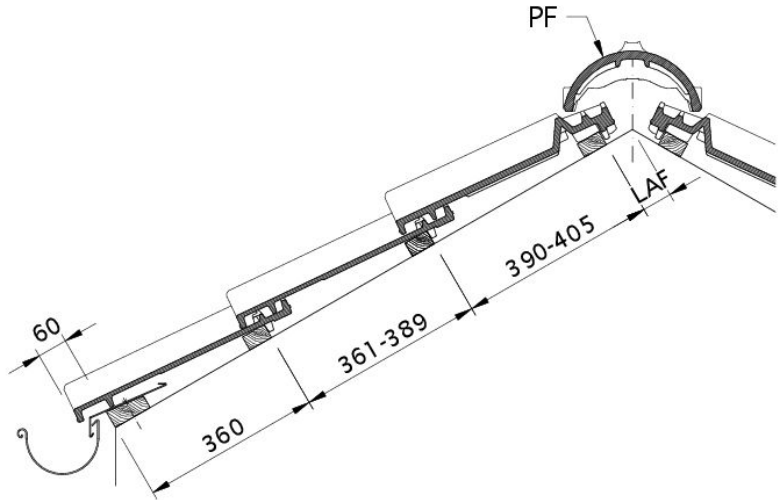
LAF-/FLA-VALUES

LAF-/FLA VALUES IN MM WITH FALZ FOR 30X50-BATTENS												
requirement ridgetile (approx.)	DN	10°	15°	20°	25°	30°	35°	40°	45°	50°	55°	60°
PF 2.5 pcs/m	LAF	80	80	70	65	60	60	60	50	45	45	45
PF 2.5 pcs/m	FLA	100	100	90	80	75	65	65	55	50	50	40
PR 2.5 pcs/m	LAF	80	80	70	65	60	60	60	50	45	45	45
PR 2.5 pcs/m	FLA	100	100	90	80	75	65	65	55	50	50	40

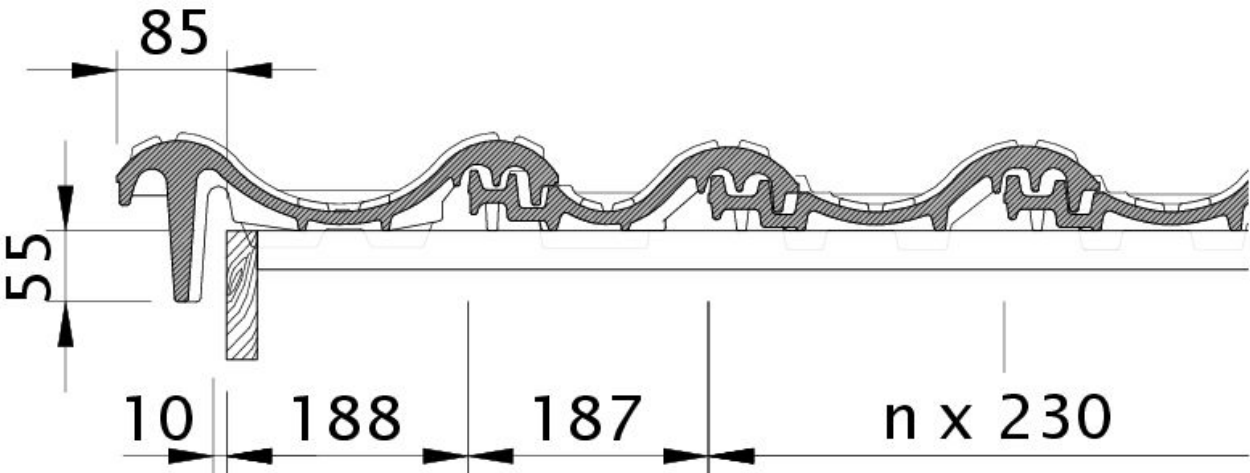
LAF-/FLA VALUES IN MM WITH FALZ FOR 40X60-BATTENS												
requirement ridgetile (approx.)	DN	10°	15°	20°	25°	30°	35°	40°	45°	50°	55°	60°
PF 2.5 pcs/m	LAF	80	80	70	60	55	55	55	40	30	30	30
PF 2.5 pcs/m	FLA	110	110	100	90	85	75	75	65	60	60	55
PR 2.5 pcs/m	LAF	80	80	70	60	55	55	55	40	30	30	30
PR 2.5 pcs/m	FLA	110	110	100	90	85	75	75	65	60	60	55

LAF-/FLA VALUES IN MM WITH FALZ FOR 50X50-BATTENS												
requirement ridgetile (approx.)	DN	10°	15°	20°	25°	30°	35°	40°	45°	50°	55°	60°
PF 2.5 pcs/m	LAF	75	75	65	55	50	45	45	30	20	20	15
PF 2.5 pcs/m	FLA	120	120	110	100	95	90	90	80	80	80	80
PR 2.5 pcs/m	LAF	75	75	65	55	50	45	45	30	20	20	15
PR 2.5 pcs/m	FLA	120	120	110	100	95	90	90	80	80	80	80



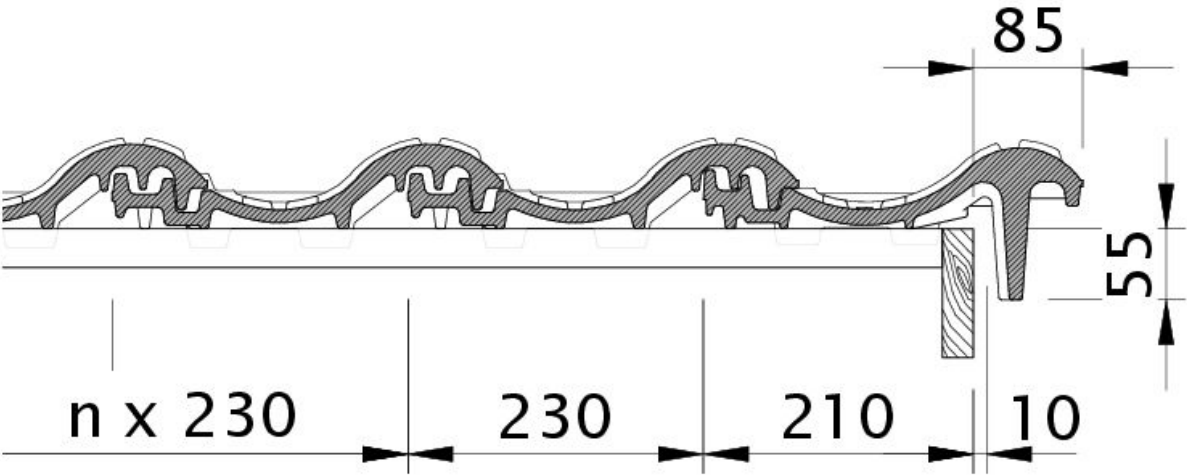


Drawing SINFONIE roof cross-section DQF

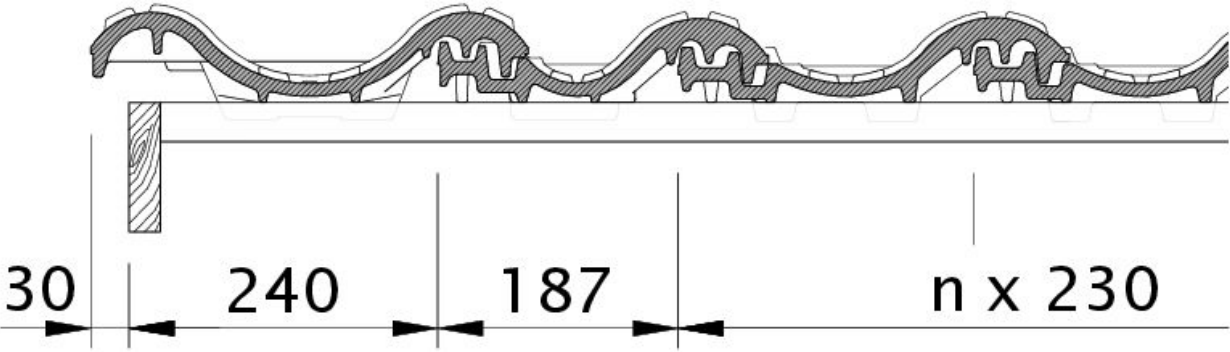


Drawing SINFONIE verge tile left with barge board OBL



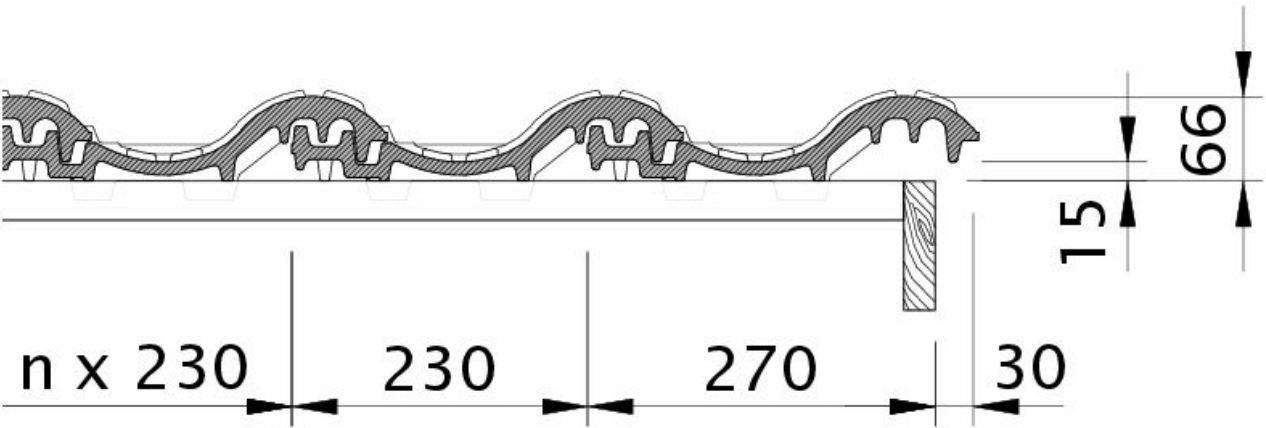


Drawing SINFONIE verge tile right with barge board OBR

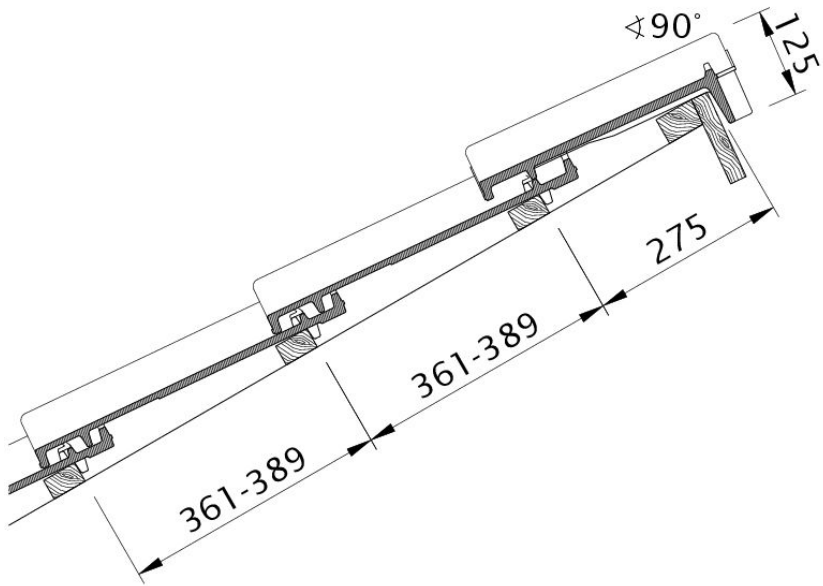


Drawing SINFONIE verge left with verge sheet metal and double roll ODL



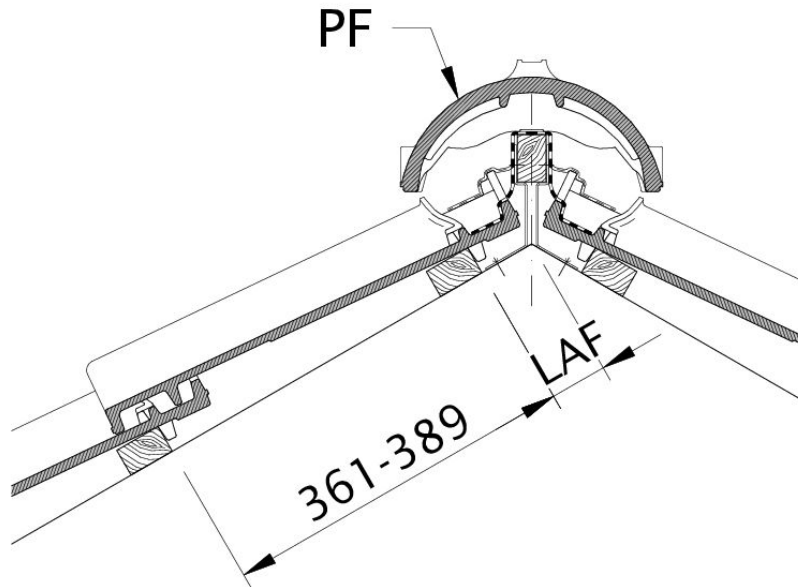


Drawing SINFONIE verge right with verge sheet metal and field tile OFR



Drawing SINFONIE shed roof version PDA





Drawing SINFONIE distance from batten to ridge intersection point, ridge batten spacing LAF

