

MZ3 KLASSIK

The proven flat roof tile.

- Adjustment range up to 16 mm guarantees the best possible fit to any batten spacing
- Effective water drainage and optimum flow behaviour, thanks to technically perfected overlapping
- Available in 4 different colours, to give range and variety

TECHNICAL DATA

Size (appr.)	255 x 420 mm
Covering width min. approx.	203 mm
Covering width on av. approx.	205 mm
Max. coverage width (approx.)	207 mm
Min. gauge (approx.)	343 mm
Covering length on av. approx.	351 mm
Max. gauge (approx.)	358 mm
Tile requirement min. (approx.)	13.5 pcs/m ²
Average tile requirement (approx.)	13.9 pcs/m ²
Brickware max. approx.	14.4 pcs/m ²
Unit weight (approx.)	3.6 kg/piece
Weight per m ² (approx.)	50 kg/m ²
Weight per pallet (approx.)	889 kg
Pcs per mini-pack	5 piece
Pcs per pallet	240 piece



APPLICATIONS

ADDITIONAL MEASURES ACCORDING TO CREATON MANUFACTURER'S SPECIFICATIONS	
Standard roof pitch CREATON DE in combination with additional measures according to manufacturer's specifications Standard roof pitch CREATON DE in combination with additional measures according to manufacturer's specifications	16 °
Installation of a trussing sheet/glued sub-roof without nail seals, possible CREATON products: DUO extra, DUO longlife ND extra, TRIO extra, QUATTRO longlife extra	≥ 16 °
Installation of a trussing sheet/glued sub-roof without nail seals, possible CREATON products: DUO longlife ND extra	≥ 14 °
Installation of a trussing sheet/glued sub-roof with nail seals, possible CREATON products: DUO extra, DUO longlife ND extra, TRIO extra, QUATTRO longlife extra	≥ 14 °
Installation as a rainproof sub-roof, possible CREATON products: DUO longlife ND extra, TRIO extra, QUATTRO longlife extra	≥ 12 °
Installation as a watertight sub-roof, possible CREATON products: QUATTRO longlife extra	≥ 10 °
Installation as a watertight sub-roof welded in a 7° special solution, please observe separate installation guidelines, possible CREATON products: QUATTRO longlife extra	-

TECHNICAL INFORMATIONS

- The technical drawing shown is merely an example.
- According to the Central Association of the German Roofing Trade (ZVDH) rules for verge tiles, the distance between the inner edge of the verge lug and the outer edge of the gable wall or cladding must be at least 1 cm.
- Current national rules and standards apply to the execution of roofing work. These vary from country to country (e.g. ZVDH Rules, Austrian Standards) and must be taken into consideration during execution. As manufacturer's information, CREATON-specific information about the execution of the sub-roof is also applicable and is complementary to these. You can find them in our Roof Planner or at www.creaton.de / www.creaton.at.
- Please consider the sample letter for the standard CREATON roof pitches.



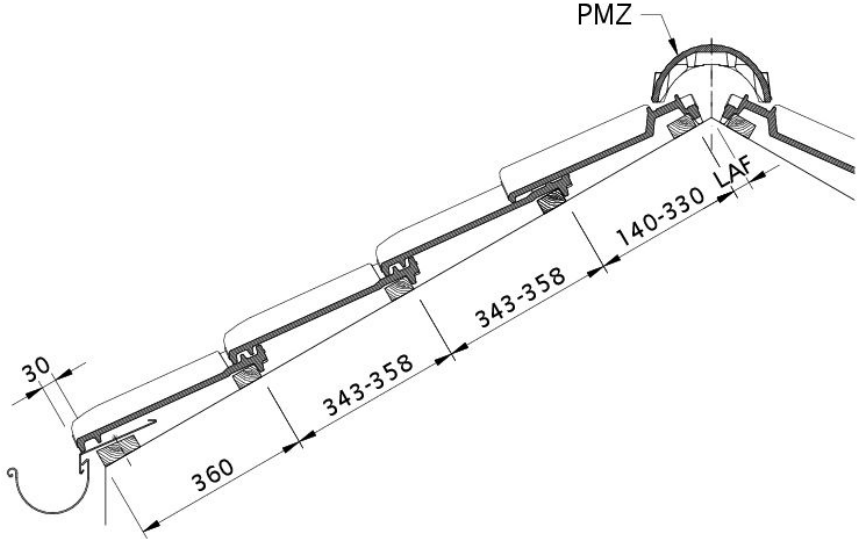
LAF-/FLA-VALUES

LAF-/FLA VALUES IN MM WITH FALZ FOR 30X50-BATTENS											
requirement ridgetile (approx.)	DN	10°	15°	20°	25°	30°	35°	40°	45°	50°	55°
PMZ 2.6 pcs/m	LAF	45	45	40	35	35	30	25	20	15	10
PMZ 2.6 pcs/m	FLA	130	130	120	115	110	100	90	90	85	80

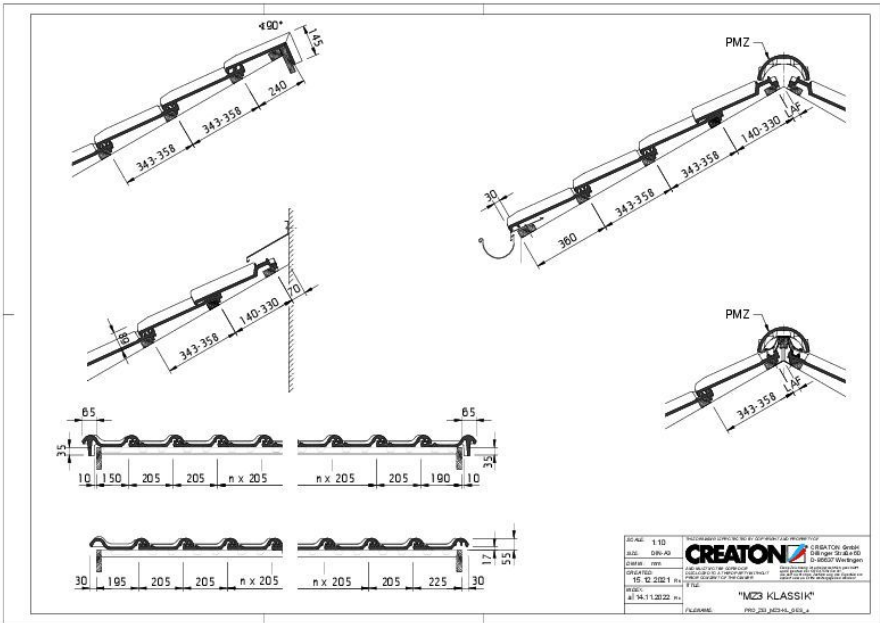
LAF-/FLA VALUES IN MM WITH FALZ FOR 40X60-BATTENS									
requirement ridgetile (approx.)	DN	10°	15°	20°	25°	30°	35°	40°	45°
PMZ 2.6 pcs/m	LAF	45	45	40	30	30	25	20	10
PMZ 2.6 pcs/m	FLA	140	140	130	125	120	110	100	100

LAF-/FLA VALUES IN MM WITH FALZ FOR 50X50-BATTENS								
requirement ridgetile (approx.)	DN	10°	15°	20°	25°	30°	35°	40°
PMZ 2.6 pcs/m	LAF	40	40	35	25	25	15	10
PMZ 2.6 pcs/m	FLA	150	150	140	135	130	125	115



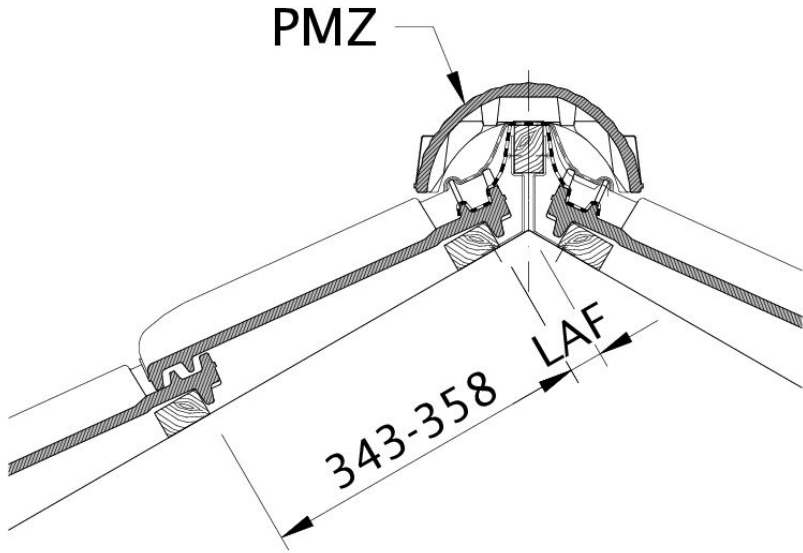


Drawing MZ3 roof cross-section DQF

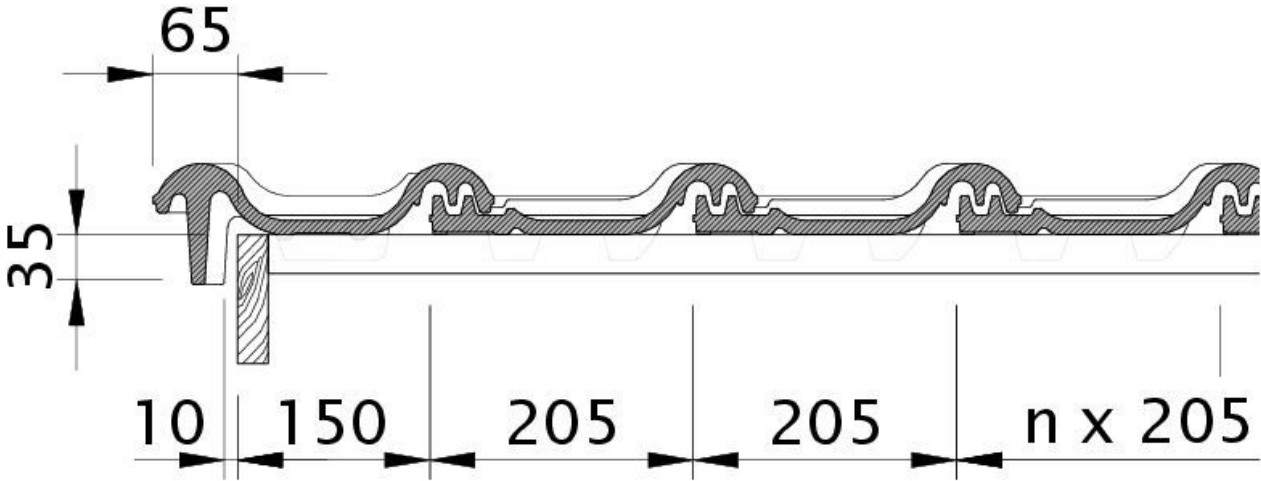


Drawing MZ3 general view GES



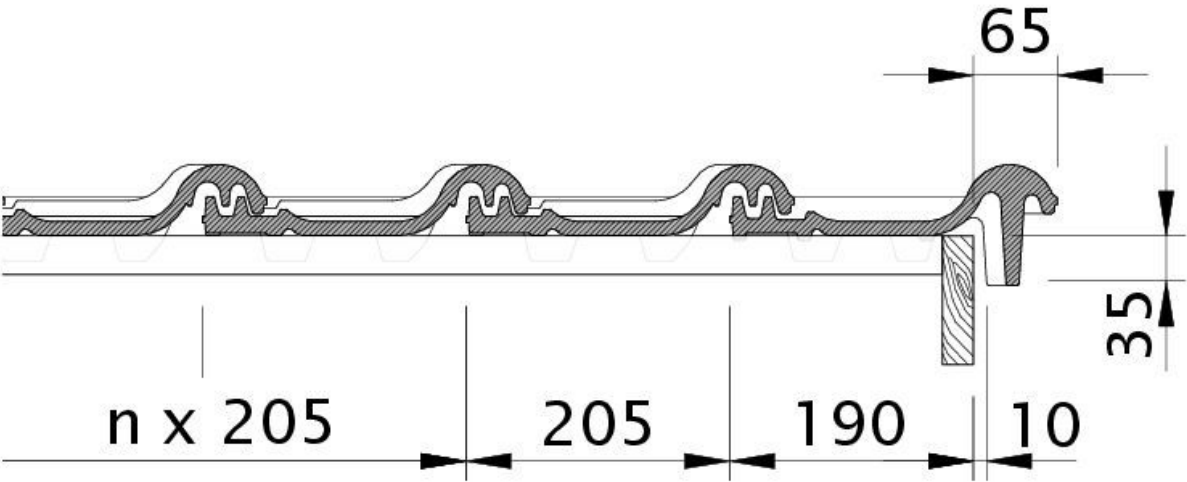


Drawing MZ3 distance from batten to ridge intersection point, ridge batten spacing LAF

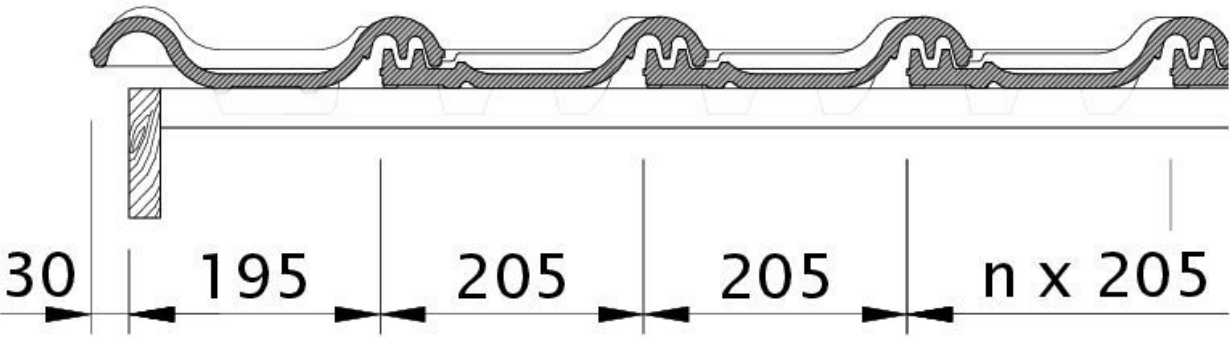


Drawing MZ3 verge tile left with barge board OBL



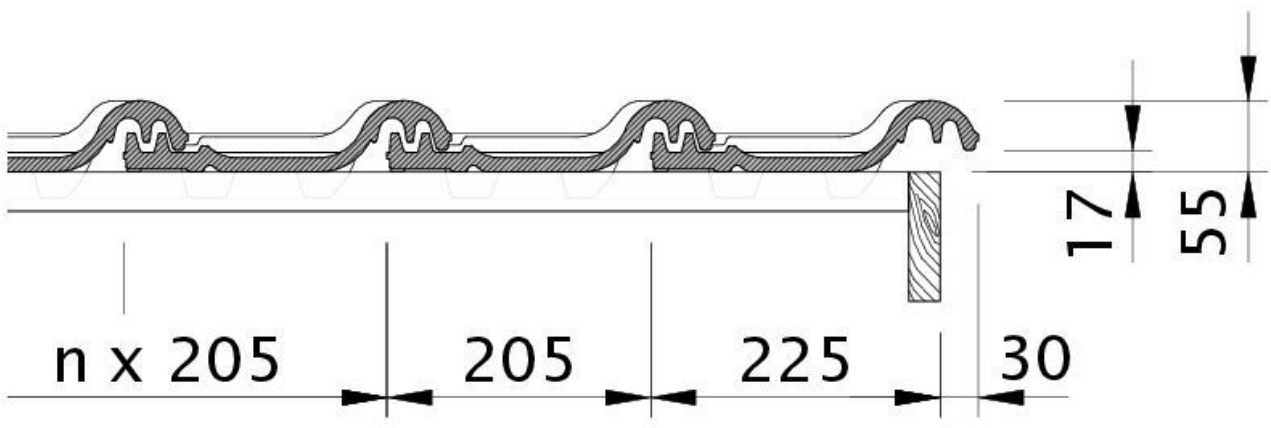


Drawing MZ3 verge tile right with barge board OBR

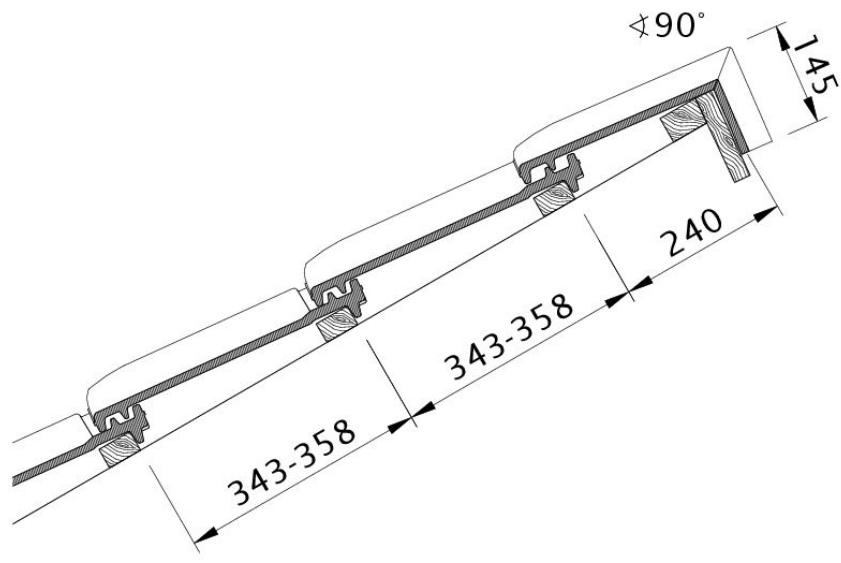


Drawing MZ3 verge left with verge sheet metal and double roll ODL



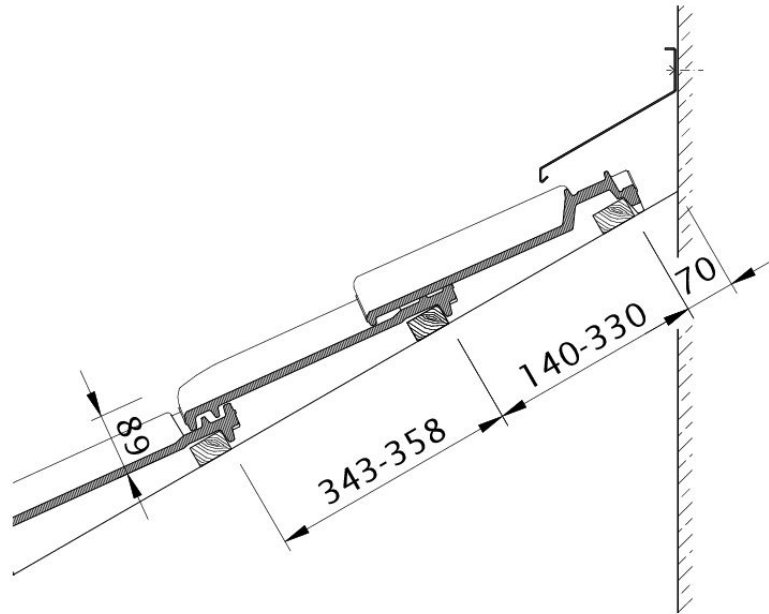


Drawing MZ3 verge right with verge sheet metal and field tile OFR



Drawing MZ3 shed roof version PDA





Drawing MZ3 wall connection (above) with FALZ WMF

