

## REGIUS

Tradition meets modernity.

- Classic technically mature model from the traditional works in Autenried, Bavaria, Germany
- Extremely versatile and easy to install, with an adjustment range of 21 mm, making it ideal for renovation projects
- Its large format makes this tile especially cost-effective
- Support ribs add robustness and channel away any condensed water
- Labyrinth technology, with five specially-shaped protruding side ribs, prevents rainwater penetration, even in the fiercest storms
- Can be used either in rows or in a bonded pattern

Note: For this model, a color change was made to the NUANCE slate grey. Further information can be found here: [Product range info](#)



TECHNICAL DATA

Size (appr.)	295 x 475 mm
Covering width min. approx.	254 mm
Covering width on av. approx.	255 mm
Max. coverage width (approx.)	256 mm
Min. gauge (approx.)	392 mm
Covering length on av. approx.	402 mm
Max. gauge (approx.)	412 mm
Tile requirement min. (approx.)	9.3 pcs/m <sup>2</sup>
Average tile requirement (approx.)	9.6 pcs/m <sup>2</sup>
Brickware max. approx.	9.9 pcs/m <sup>2</sup>
Unit weight (approx.)	4.3 kg/piece
Weight per m <sup>2</sup> (approx.)	40 kg/m <sup>2</sup>
Weight per pallet (approx.)	975 kg
Pcs per mini-pack	4 piece
Pcs per pallet	224 piece



## APPLICATIONS

ADDITIONAL MEASURES ACCORDING TO CREATON MANUFACTURER'S SPECIFICATIONS	
Standard roof pitch CREATON DE in combination with additional measures according to manufacturer's specifications Standard roof pitch CREATON DE in combination with additional measures according to manufacturer's specifications	18 °
Installation of a trussing sheet/glued sub-roof without nail seals, possible CREATON products: DUO extra, DUO longlife ND extra, TRIO extra, QUATTRO longlife extra	≥ 18 °
Installation of a trussing sheet/glued sub-roof without nail seals, possible CREATON products: DUO longlife ND extra	≥ 16 °
Installation of a trussing sheet/glued sub-roof with nail seals, possible CREATON products: DUO extra, DUO longlife ND extra, TRIO extra, QUATTRO longlife extra	≥ 16 °
Installation as a rainproof sub-roof, possible CREATON products: DUO longlife ND extra, TRIO extra, QUATTRO longlife extra	≥ 14 °
Installation as a watertight sub-roof, possible CREATON products: QUATTRO longlife extra	≥ 10 °
Installation as a watertight sub-roof welded in a 7° special solution, please observe separate installation guidelines, possible CREATON products: QUATTRO longlife extra	-

## TECHNICAL INFORMATIONS

- The technical drawing shown is merely an example.
- According to the Central Association of the German Roofing Trade (ZVDH) rules for verge tiles, the distance between the inner edge of the verge lug and the outer edge of the gable wall or cladding must be at least 1 cm.
- Current national rules and standards apply to the execution of roofing work. These vary from country to country (e.g. ZVDH Rules, Austrian Standards) and must be taken into consideration during execution. As manufacturer's information, CREATON-specific information about the execution of the sub-roof is also applicable and is complementary to these. You can find them in our Roof Planner or at [www.creaton.de](http://www.creaton.de) / [www.creaton.at](http://www.creaton.at).
- Please consider the sample letter for the standard CREATON roof pitches.



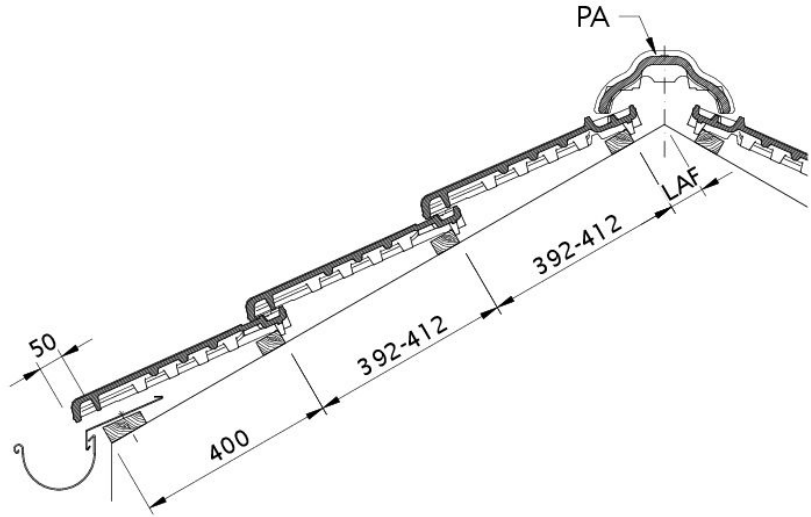
LAF-/FLA-VALUES

LAF-/FLA VALUES IN MM WITH FALZ FOR 30X50-BATTENS												
requirement ridgetile (approx.)	DN	10°	15°	20°	25°	30°	35°	40°	45°	50°	55°	60°
PA 2.4 pcs/m	LAF	85	80	75	75	70	70	65	65	65	60	55
PA 2.4 pcs/m	FLA	105	95	85	75	65	55	45	35	30	25	20
PF 2.5 pcs/m	LAF	95	90	85	75	75	70	70	65	60		
PF 2.5 pcs/m	FLA	100	90	80	65	55	45	35	25	20		

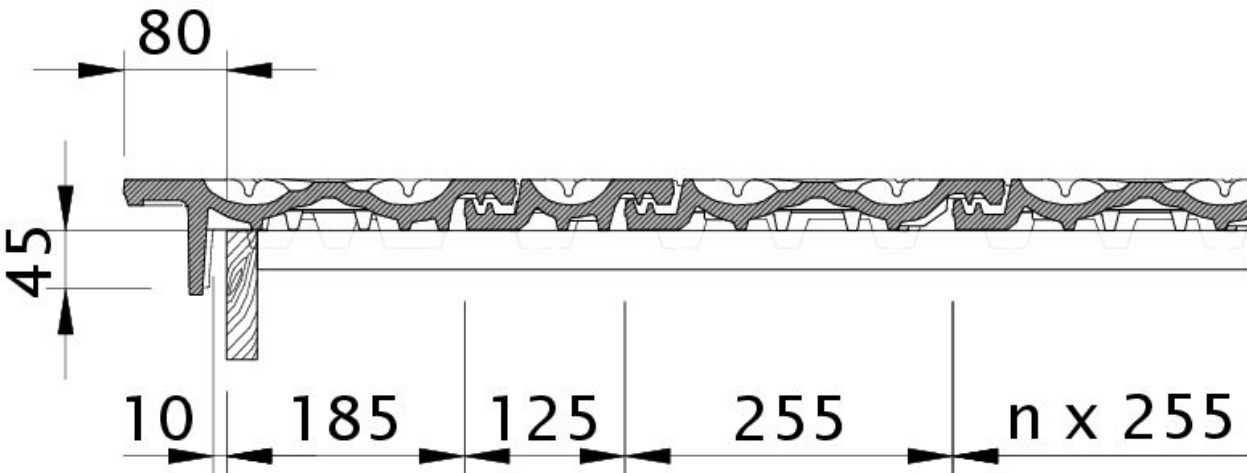
LAF-/FLA VALUES IN MM WITH FALZ FOR 40X60-BATTENS												
requirement ridgetile (approx.)	DN	10°	15°	20°	25°	30°	35°	40°	45°	50°	55°	60°
PA 2.4 pcs/m	LAF	85	80	75	70	65	65	60	55	50	45	40
PA 2.4 pcs/m	FLA	115	105	95	85	75	65	55	45	40	35	30
PF 2.5 pcs/m	LAF	95	90	85	75	75	70	70	65	60		
PF 2.5 pcs/m	FLA	110	100	90	75	65	55	45	35	30		

LAF-/FLA VALUES IN MM WITH FALZ FOR 50X50-BATTENS												
requirement ridgetile (approx.)	DN	10°	15°	20°	25°	30°	35°	40°	45°	50°	55°	60°
PA 2.4 pcs/m	LAF	80	75	70	65	60	55	50	45	40	35	30
PA 2.4 pcs/m	FLA	125	115	105	95	85	80	70	60	60	55	40
PF 2.5 pcs/m	LAF	90	85	80	70	70	60	60	55	50		
PF 2.5 pcs/m	FLA	120	110	100	85	75	70	60	50	50		



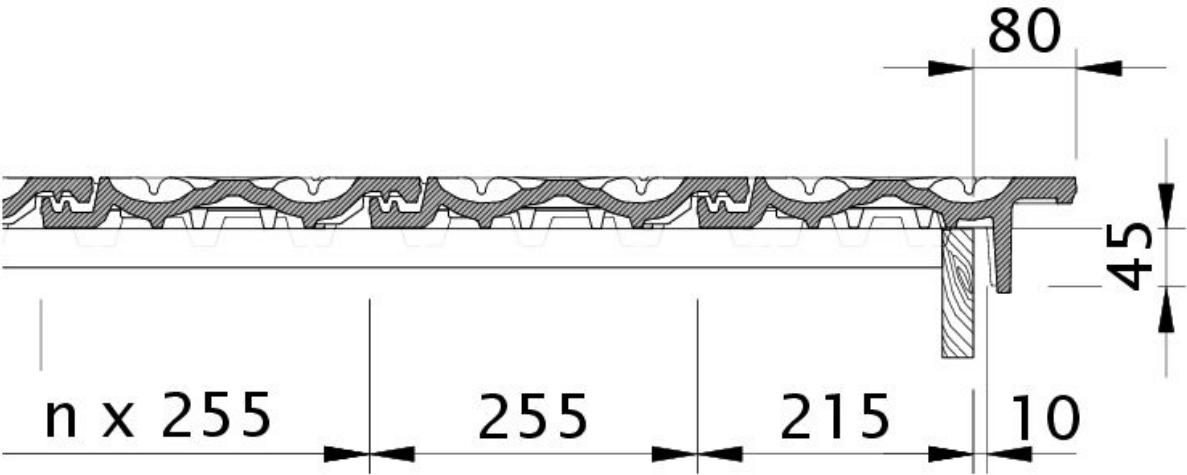


Drawing REGIUS roof cross-section DQF

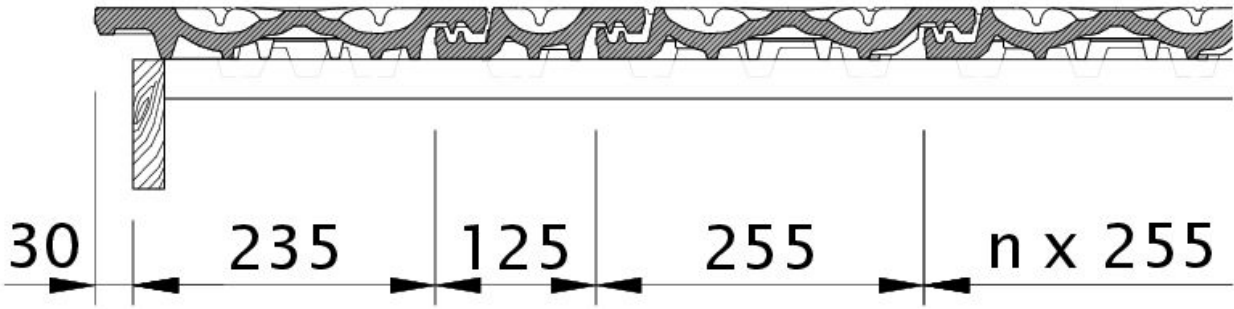


Drawing REGIUS verge tile left with barge board OBL



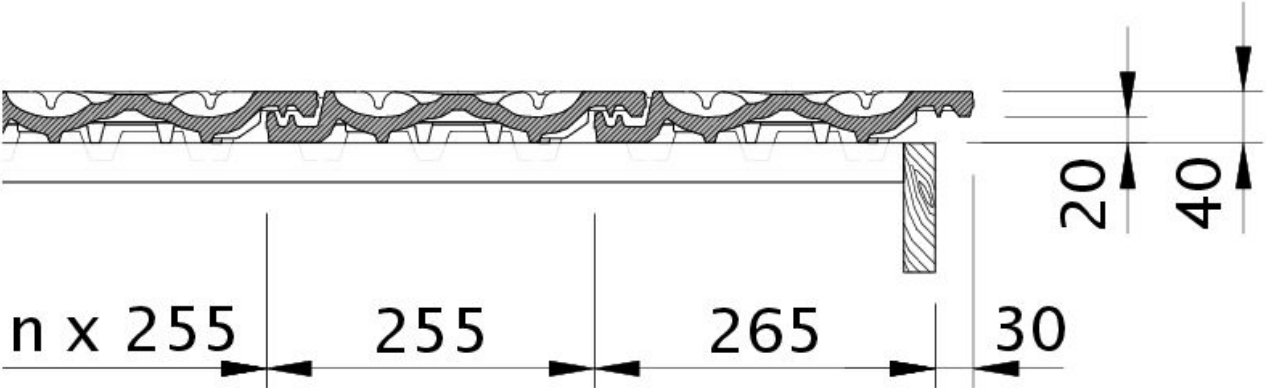


Drawing REGIUS verge tile right with barge board OBR

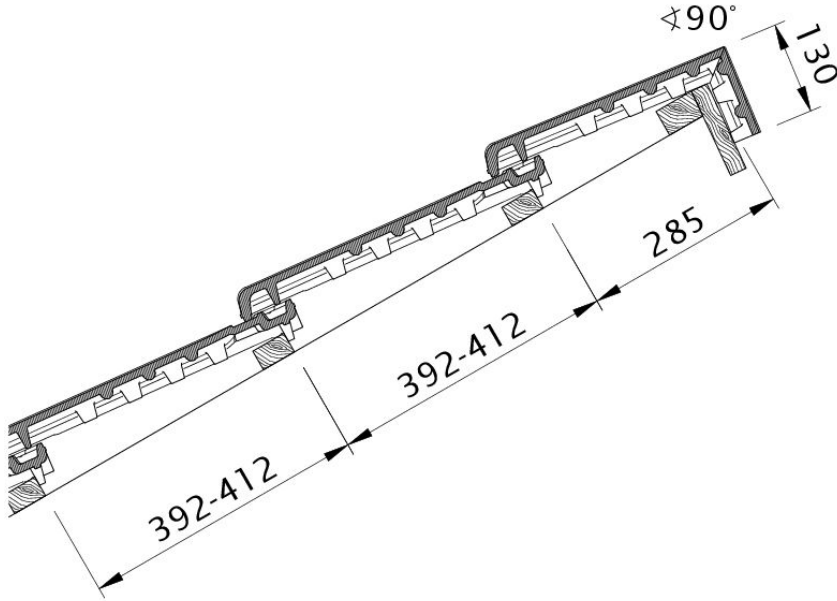


Drawing REGIUS verge left with verge sheet metal and double roll ODL



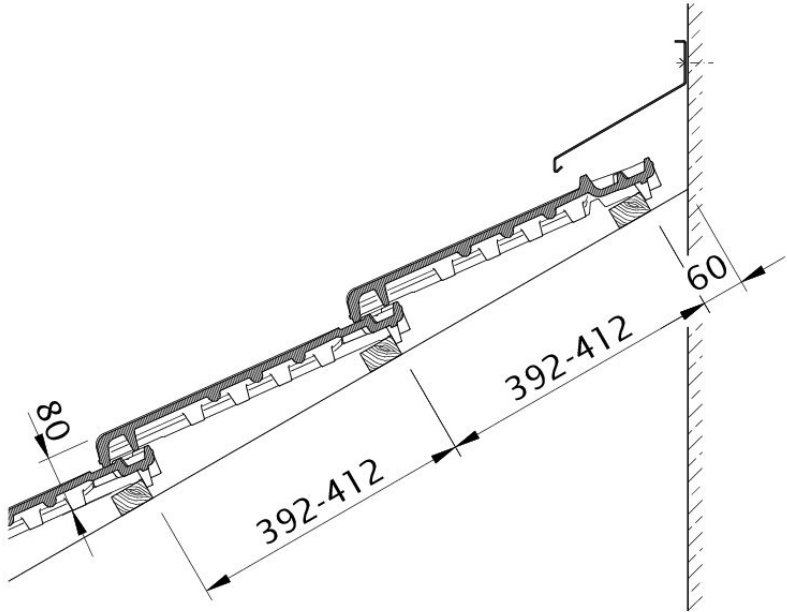


Drawing REGIUS verge right with verge sheet metal and field tile OFR

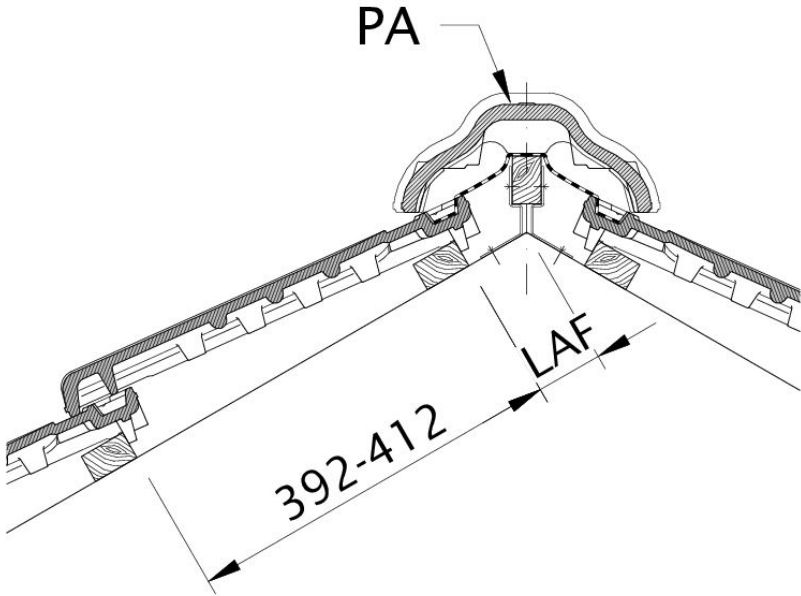


Drawing REGIUS shed roof version PDA





Drawing REGIUS wall connection (above) with FALZ WMF



Drawing REGIUS distance from batten to ridge intersection point, ridge batten spacing LAF

