

TITANIA

Flexible with maximum adjustment range.

- Top value for money at 9 units/m²
- Very versatile and easy to install, thanks to a generous 44 mm adjustment range
- Sophisticated interlock technology ensures optimum water control and provides increased protection against rain intrusion
- The 44 mm adjustment tolerance is the largest in the CREATON flat roof tile series and guarantees the best possible fit to any batten spacing

TECHNICAL DATA

| | |
|-------------------------------------|-------------------------|
| Size (appr.) | 325 x 515 mm |
| Covering width min. approx. | 260 mm |
| Covering width on av. approx. | 262 mm |
| Max. coverage width (approx.) | 264 mm |
| Min. gauge (approx.) | 380 mm |
| Covering length on av. approx. | 402 mm |
| Max. gauge (approx.) | 424 mm |
| Tile requirement min. (approx.) | 9.0 pcs/m ² |
| Average tile requirement (approx.) | 9.5 pcs/m ² |
| Brickware max. approx. | 10.1 pcs/m ² |
| Unit weight (approx.) | 4.9 kg/piece |
| Weight per m ² (approx.) | 46.6 kg/m ² |
| Weight per pallet (approx.) | 966 kg |
| Pcs per mini-pack | 4 piece |
| Pcs per pallet | 192 piece |



APPLICATIONS

| ADDITIONAL MEASURES ACCORDING TO CREATON MANUFACTURER'S SPECIFICATIONS | |
|--|--------|
| Standard roof pitch CREATON DE in combination with additional measures according to manufacturer's specifications Standard roof pitch CREATON DE in combination with additional measures according to manufacturer's specifications | 16 ° |
| Installation of a trussing sheet/glued sub-roof without nail seals, possible CREATON products: DUO extra, DUO longlife ND extra, TRIO extra, QUATTRO longlife extra | ≥ 16 ° |
| Installation of a trussing sheet/glued sub-roof without nail seals, possible CREATON products: DUO longlife ND extra | ≥ 14 ° |
| Installation of a trussing sheet/glued sub-roof with nail seals, possible CREATON products: DUO extra, DUO longlife ND extra, TRIO extra, QUATTRO longlife extra | ≥ 14 ° |
| Installation as a rainproof sub-roof, possible CREATON products: DUO longlife ND extra, TRIO extra, QUATTRO longlife extra | ≥ 12 ° |
| Installation as a watertight sub-roof, possible CREATON products: QUATTRO longlife extra | ≥ 10 ° |
| Installation as a watertight sub-roof welded in a 7° special solution, please observe separate installation guidelines, possible CREATON products: QUATTRO longlife extra | - |

TECHNICAL INFORMATIONS

- The technical drawing shown is merely an example.
- According to the Central Association of the German Roofing Trade (ZVDH) rules for verge tiles, the distance between the inner edge of the verge lug and the outer edge of the gable wall or cladding must be at least 1 cm.
- Current national rules and standards apply to the execution of roofing work. These vary from country to country (e.g. ZVDH Rules, Austrian Standards) and must be taken into consideration during execution. As manufacturer's information, CREATON-specific information about the execution of the sub-roof is also applicable and is complementary to these. You can find them in our Roof Planner or at www.creaton.de / www.creaton.at.
- Please consider the sample letter for the standard CREATON roof pitches.



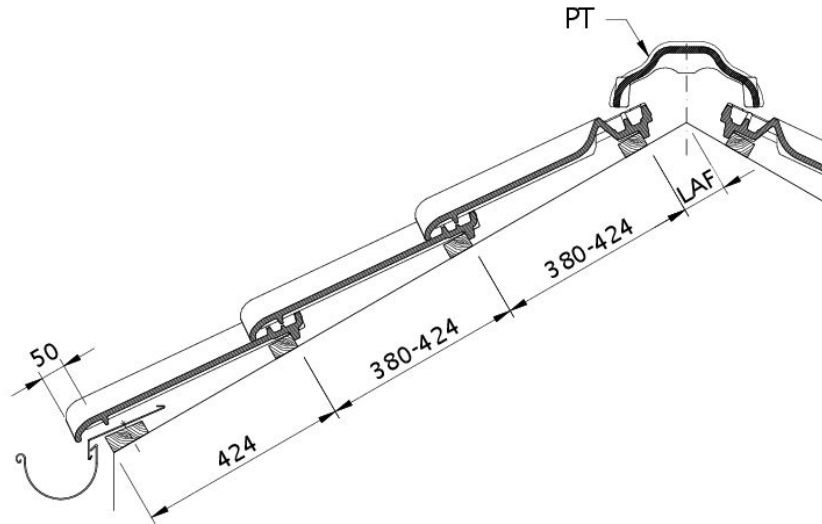
LAF-/FLA-VALUES

| LAF-/FLA VALUES IN MM WITH FALZ FOR 30X50-BATTENS | | | | | | | | | | | | |
|---|-----|-----|-----|-----|-----|-----|-----|-----|-----|-----|-----|-----|
| requirement ridgetile (approx.) | DN | 10° | 15° | 20° | 25° | 30° | 35° | 40° | 45° | 50° | 55° | 60° |
| PT 2.5 pcs/m | LAF | 90 | 90 | 90 | 90 | 90 | 85 | 80 | 80 | 80 | 75 | 75 |
| PT 2.5 pcs/m | FLA | 110 | 110 | 100 | 80 | 70 | 70 | 65 | 55 | 45 | 35 | 30 |

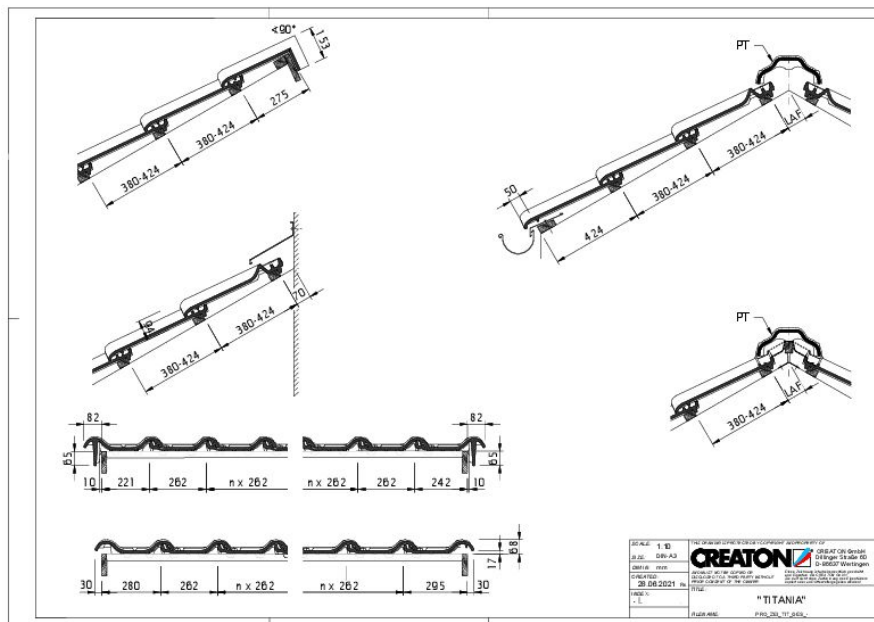
| LAF-/FLA VALUES IN MM WITH FALZ FOR 40X60-BATTENS | | | | | | | | | | | | |
|---|-----|-----|-----|-----|-----|-----|-----|-----|-----|-----|-----|-----|
| requirement ridgetile (approx.) | DN | 10° | 15° | 20° | 25° | 30° | 35° | 40° | 45° | 50° | 55° | 60° |
| PT 2.5 pcs/m | LAF | 90 | 90 | 90 | 85 | 85 | 80 | 75 | 70 | 65 | 60 | 60 |
| PT 2.5 pcs/m | FLA | 120 | 120 | 110 | 90 | 80 | 80 | 75 | 65 | 55 | 45 | 40 |

| LAF-/FLA VALUES IN MM WITH FALZ FOR 50X50-BATTENS | | | | | | | | | | | | |
|---|-----|-----|-----|-----|-----|-----|-----|-----|-----|-----|-----|-----|
| requirement ridgetile (approx.) | DN | 10° | 15° | 20° | 25° | 30° | 35° | 40° | 45° | 50° | 55° | 60° |
| PT 2.5 pcs/m | LAF | 85 | 85 | 85 | 80 | 80 | 70 | 65 | 60 | 55 | 50 | 45 |
| PT 2.5 pcs/m | FLA | 130 | 130 | 120 | 100 | 90 | 95 | 90 | 80 | 75 | 65 | 70 |



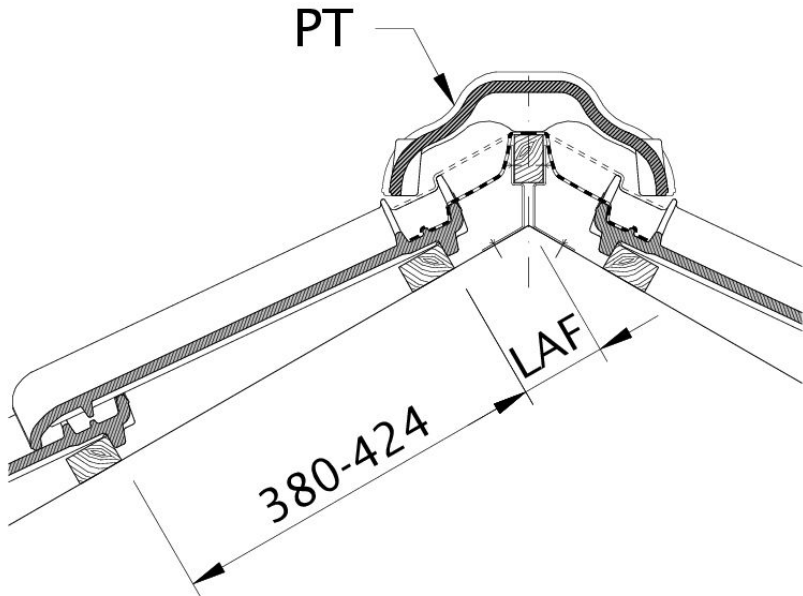


Drawing TITANIA roof cross-section DQF

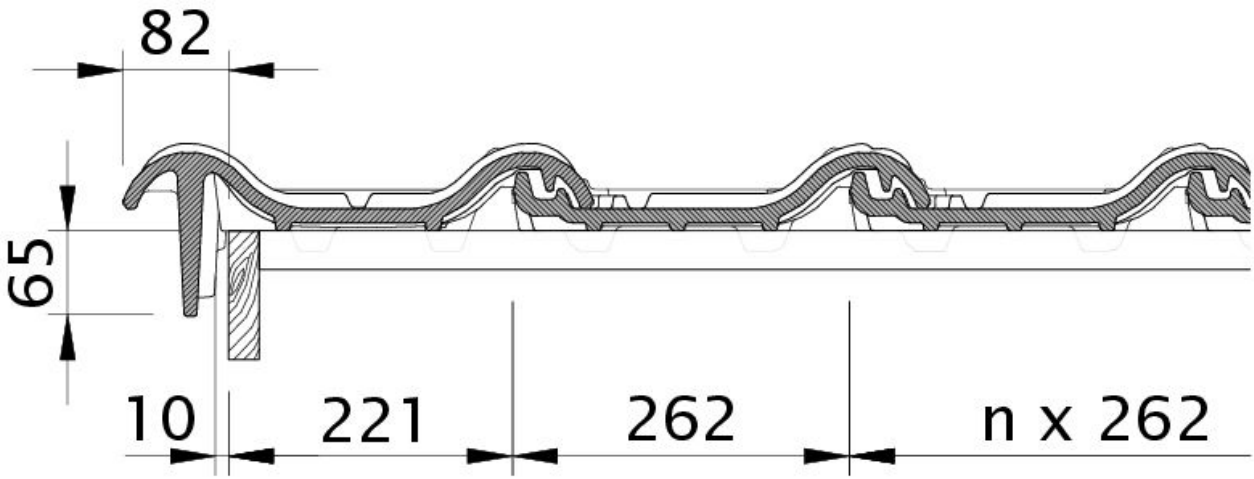


Drawing TITANIA general view GES



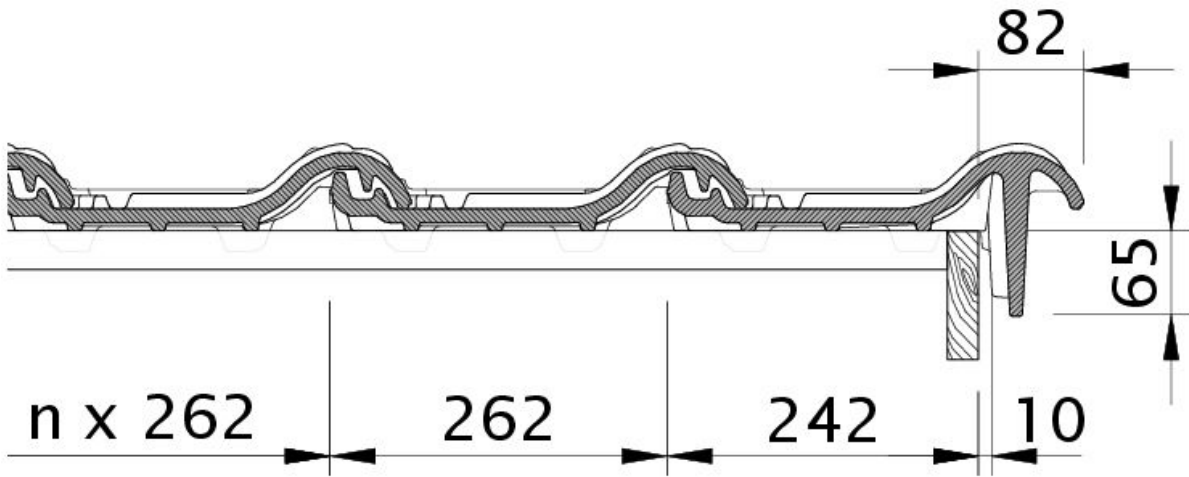


Drawing TITANIA distance from batten to ridge intersection point, ridge batten spacing LAF

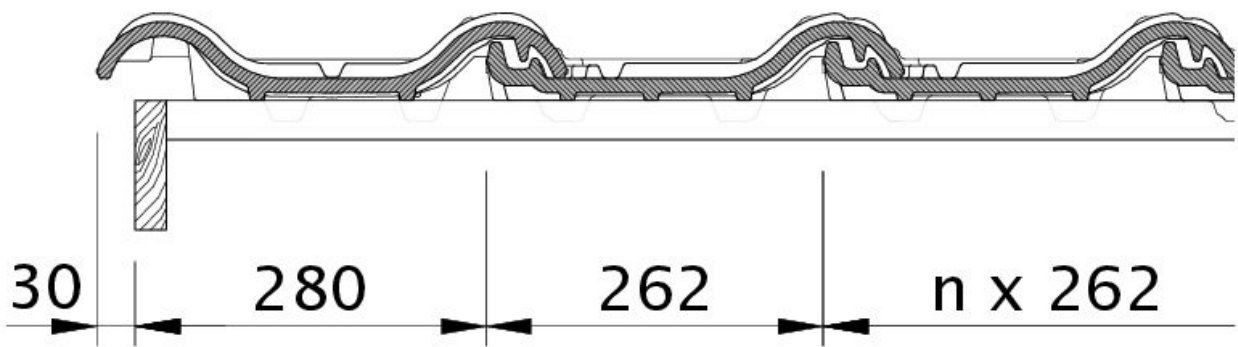


Drawing TITANIA verge tile left with barge board OBL



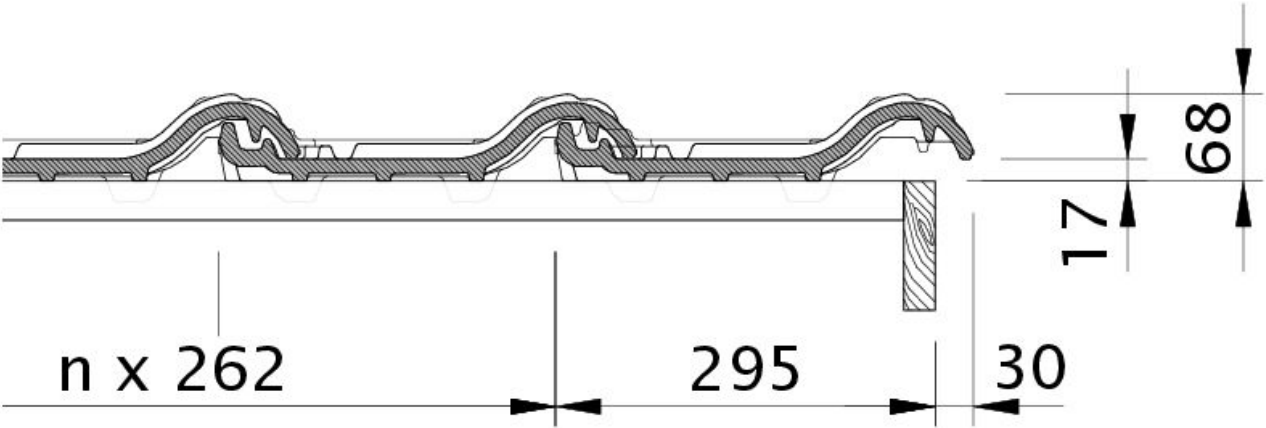


Drawing TITANIA verge tile right with barge board OBR

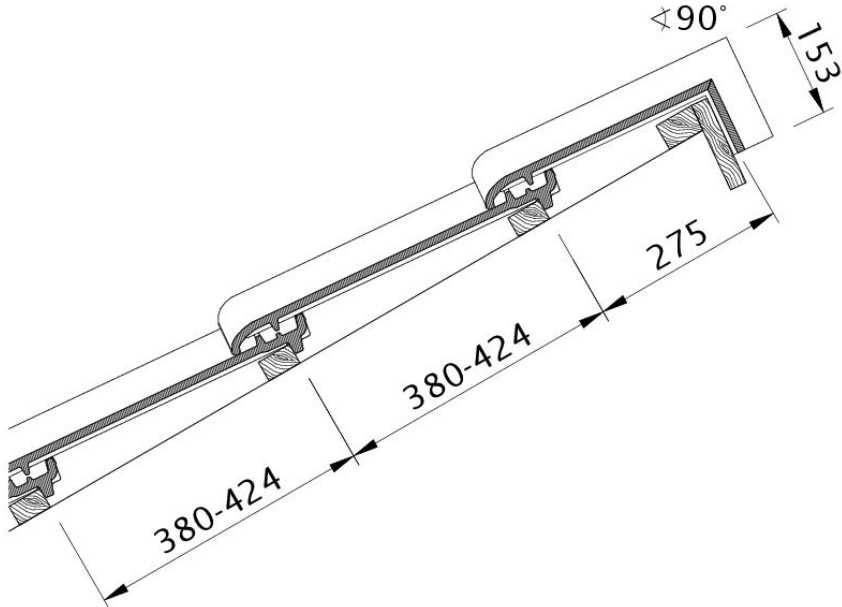


Drawing TITANIA verge left with verge sheet metal and double roll ODL



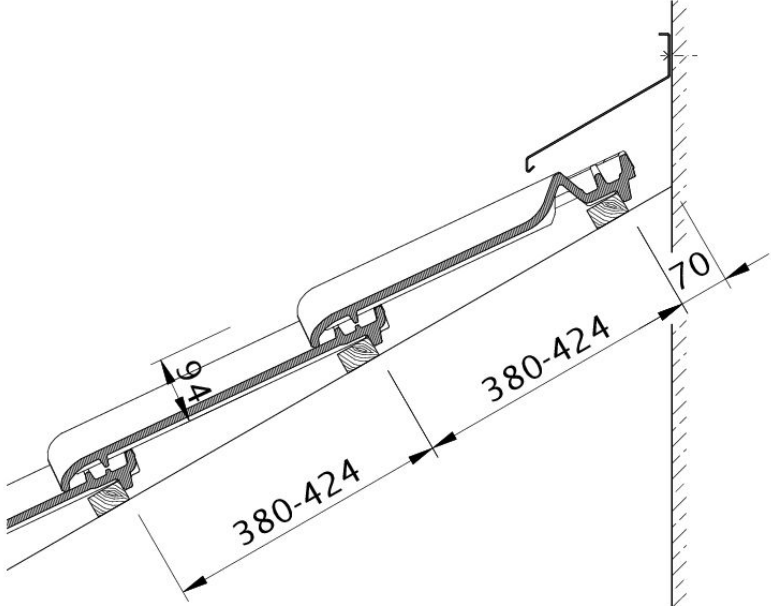


Drawing TITANIA verge right with verge sheet metal and field tile OFR



Drawing TITANIA shed roof version PDA





Drawing TITANIA wall connection (above) with FALZ WMF

