

## MZ3

The updated classic.

- Distinctive side ribs prevent water penetration, even in the strongest winds
- 28 mm adjustment range for optimum adjustment to suit batten spacing
- Effective water drainage and optimum flow behaviour, thanks to technically perfected overlapping
- First-rate raw materials ensure the smoothest tile surface
- Double bottom ribbing ensures the tile stays firmly in place and prevents blown snow or sleet from penetrating
- Improved water drainage thanks to optimised head interlock

### TECHNICAL DATA

Size (appr.)	268 x 442 mm
Covering width min. approx.	216 mm
Covering width on av. approx.	218 mm
Max. coverage width (approx.)	220 mm
Min. gauge (approx.)	334 mm
Covering length on av. approx.	345 mm
Max. gauge (approx.)	360 mm
Tile requirement min. (approx.)	12.6 pcs/m <sup>2</sup>
Average tile requirement (approx.)	13.3 pcs/m <sup>2</sup>
Brickware max. approx.	13.9 pcs/m <sup>2</sup>
Unit weight (approx.)	3.6 kg/piece
Weight per m <sup>2</sup> (approx.)	47.9 kg/m <sup>2</sup>
Weight per pallet (approx.)	889 kg
Pcs per mini-pack	5 piece
Pcs per pallet	240 piece



APPLICATIONS

ADDITIONAL MEASURES ACCORDING TO CREATON MANUFACTURER'S SPECIFICATIONS	
Standard roof pitch CREATON DE in combination with additional measures according to manufacturer's specifications Standard roof pitch CREATON DE in combination with additional measures according to manufacturer's specifications	16 °
Installation of a trussing sheet/glued sub-roof without nail seals, possible CREATON products: DUO extra, DUO longlife ND extra, TRIO extra, QUATTRO longlife extra	≥ 16 °
Installation of a trussing sheet/glued sub-roof without nail seals, possible CREATON products: DUO longlife ND extra	≥ 14 °
Installation of a trussing sheet/glued sub-roof with nail seals, possible CREATON products: DUO extra, DUO longlife ND extra, TRIO extra, QUATTRO longlife extra	≥ 14 °
Installation as a rainproof sub-roof, possible CREATON products: DUO longlife ND extra, TRIO extra, QUATTRO longlife extra	≥ 12 °
Installation as a watertight sub-roof, possible CREATON products: QUATTRO longlife extra	≥ 10 °
Installation as a watertight sub-roof welded in a 7° special solution, please observe separate installation guidelines, possible CREATON products: QUATTRO longlife extra	-

TECHNICAL INFORMATIONS

- The technical drawing shown is merely an example.
- According to the Central Association of the German Roofing Trade (ZVDH) rules for verge tiles, the distance between the inner edge of the verge lug and the outer edge of the gable wall or cladding must be at least 1 cm.
- Current national rules and standards apply to the execution of roofing work. These vary from country to country (e.g. ZVDH Rules, Austrian Standards) and must be taken into consideration during execution. As manufacturer's information, CREATON-specific information about the execution of the sub-roof is also applicable and is complementary to these. You can find them in our Roof Planner or at [www.creaton.de](http://www.creaton.de) / [www.creaton.at](http://www.creaton.at).
- Please consider the sample letter for the standard CREATON roof pitches.



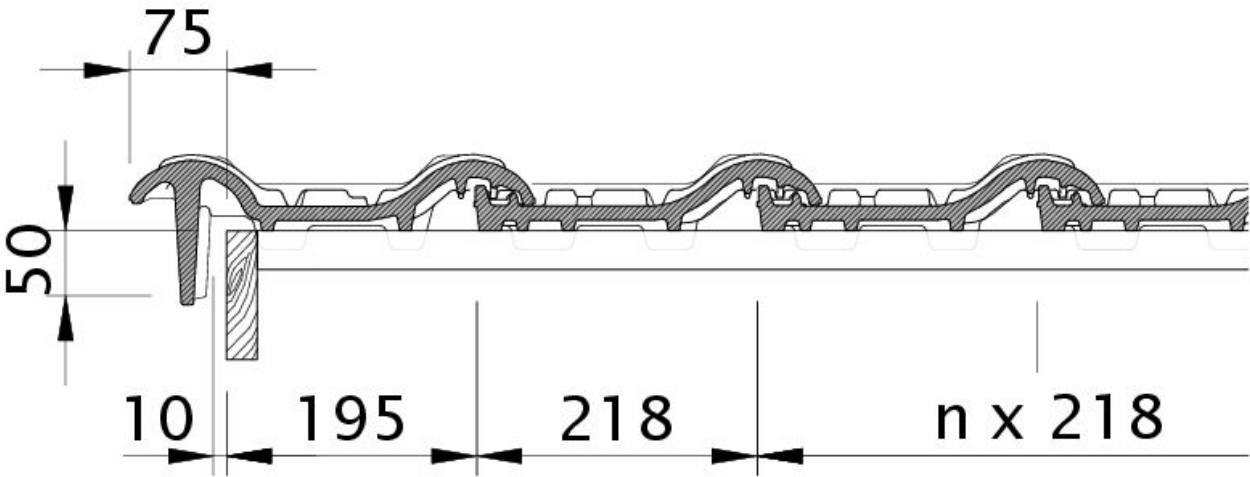
## LAF-/FLA-VALUES

LAF-/FLA VALUES IN MM WITH FALZ FOR 30X50-BATTENS											
requirement ridgetile (approx.)	DN	10°	15°	20°	25°	30°	35°	40°	45°	50°	55°
PMZ 2.6 pcs/m	LAF	65	60	55	50	45	40	35	25	15	10
PMZ 2.6 pcs/m	FLA	125	120	115	105	100	95	95	90	90	85

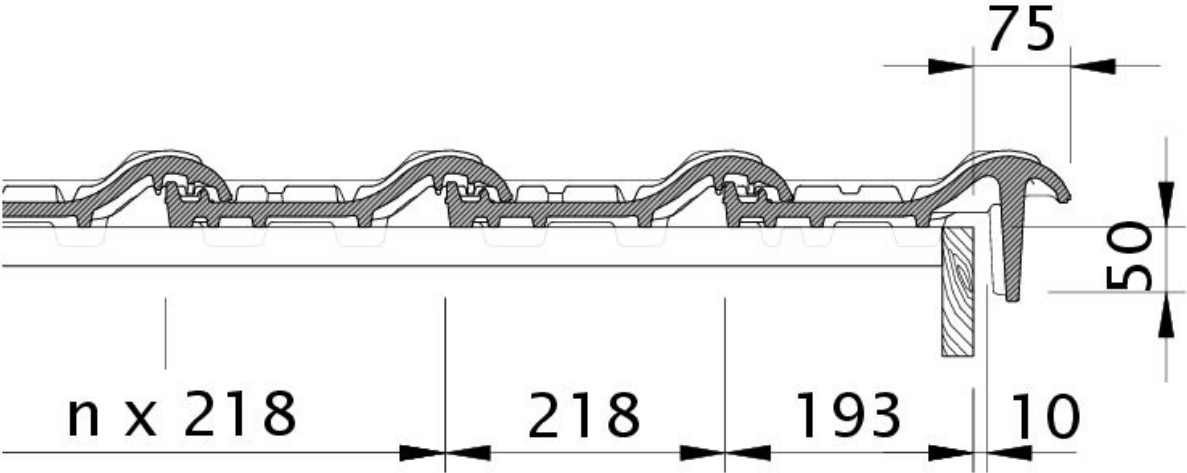
LAF-/FLA VALUES IN MM WITH FALZ FOR 40X60-BATTENS											
requirement ridgetile (approx.)	DN	10°	15°	20°	25°	30°	35°	40°	45°	50°	
PMZ 2.6 pcs/m	LAF	65	60	55	45	40	35	30	15	5	
PMZ 2.6 pcs/m	FLA	135	130	125	115	110	105	105	100	100	

LAF-/FLA VALUES IN MM WITH FALZ FOR 50X50-BATTENS										
requirement ridgetile (approx.)	DN	10°	15°	20°	25°	30°	35°	40°	45°	
PMZ 2.6 pcs/m	LAF	60	55	50	40	35	25	20	5	
PMZ 2.6 pcs/m	FLA	145	140	135	125	120	120	120	115	



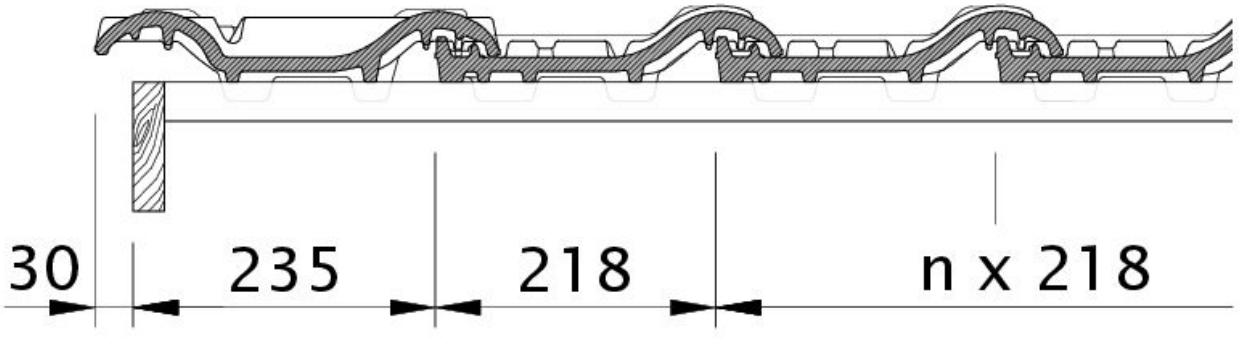


Drawing MZ3 verge tile left with barge board OBL

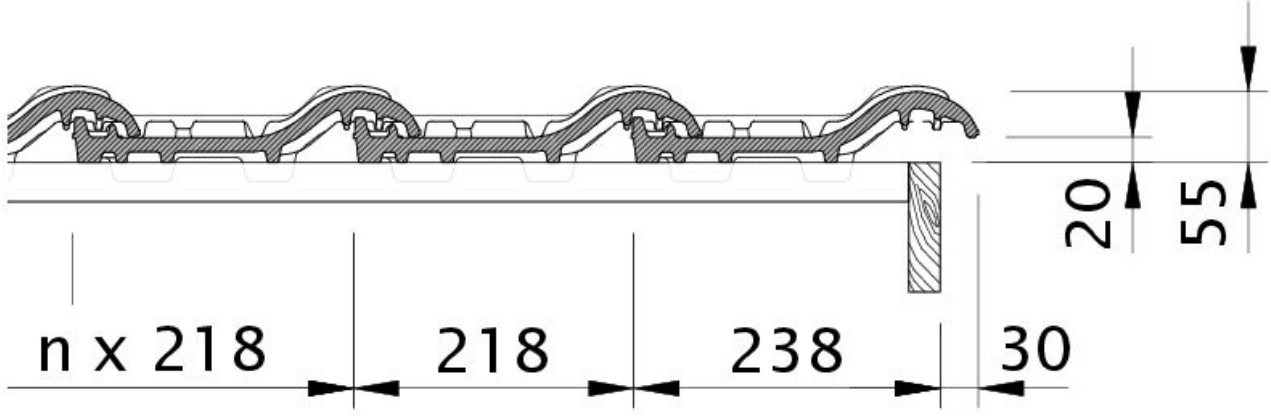


Drawing MZ3 verge tile right with barge board OBR



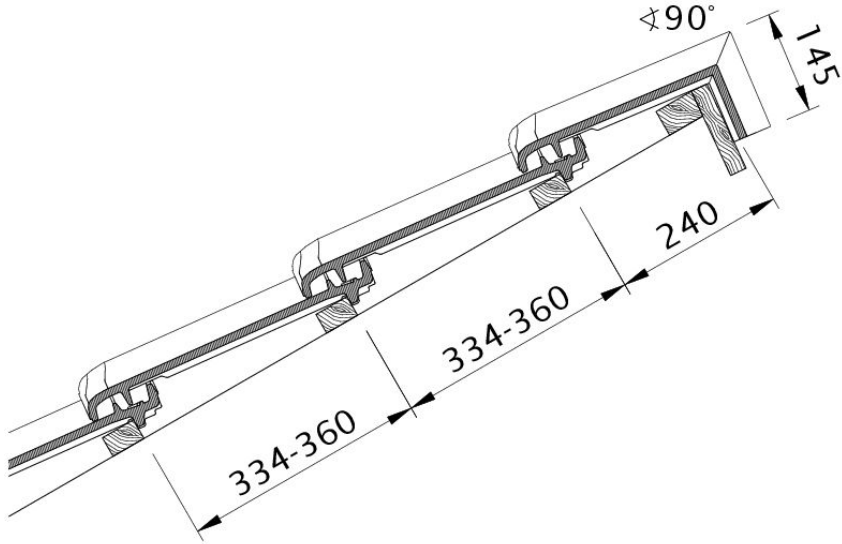


Drawing MZ3 verge left with verge sheet metal and double roll ODL

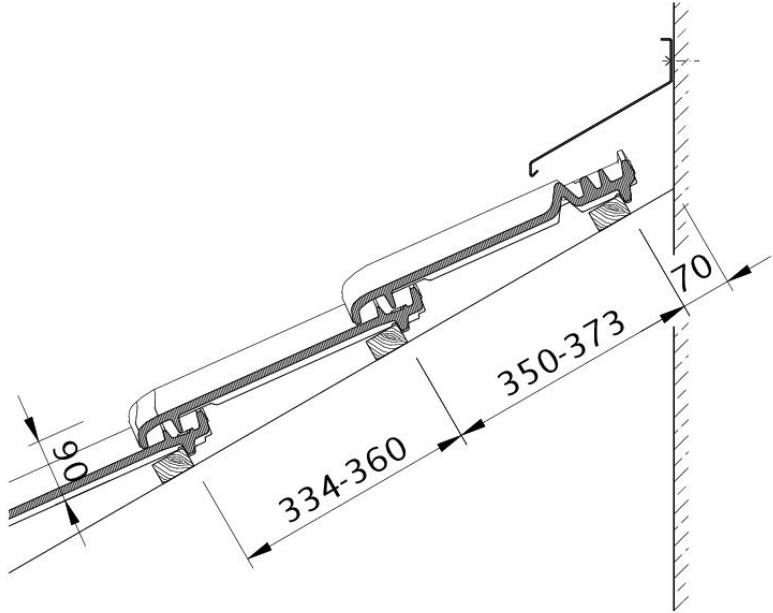


Drawing MZ3 verge right with verge sheet metal and field tile OFR



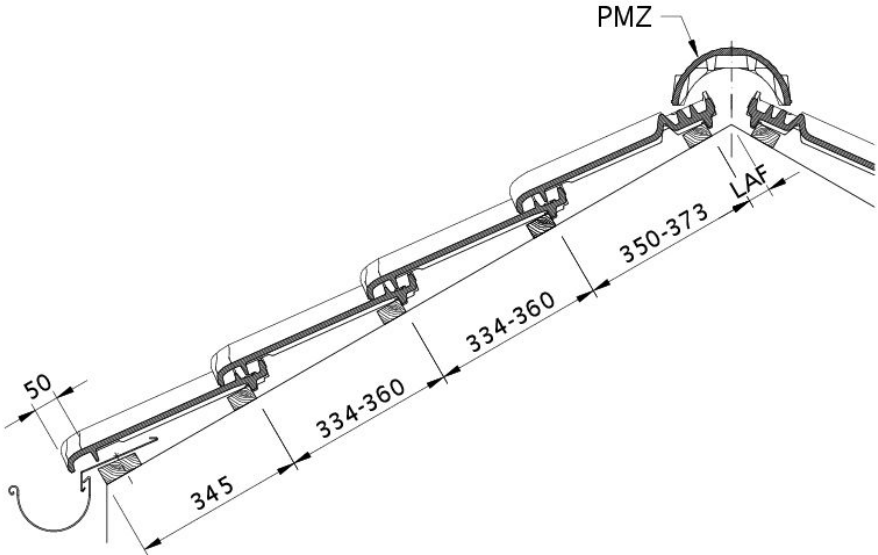


Drawing MZ3 roof cross-section PDA

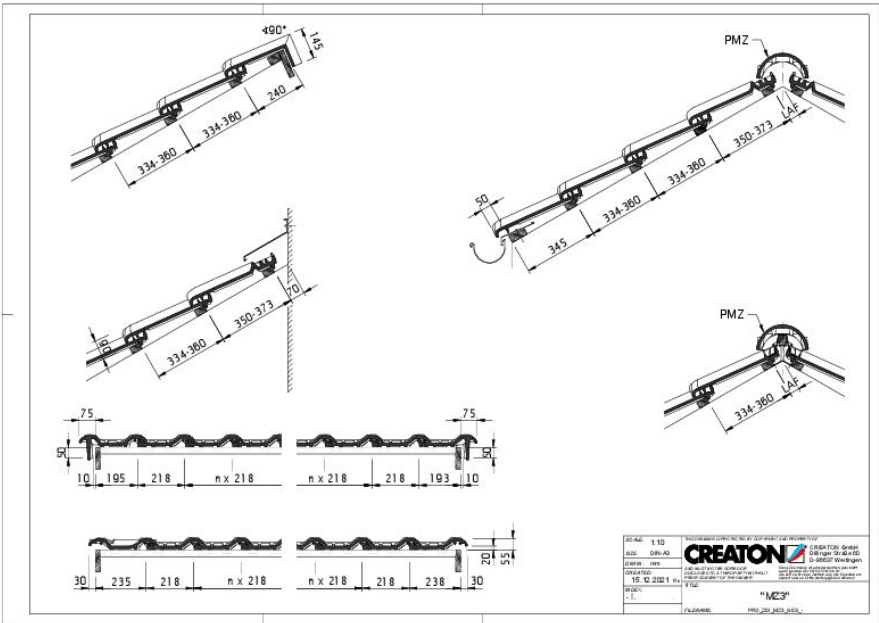


Drawing MZ3 wall connection (above) with FALZ WMF



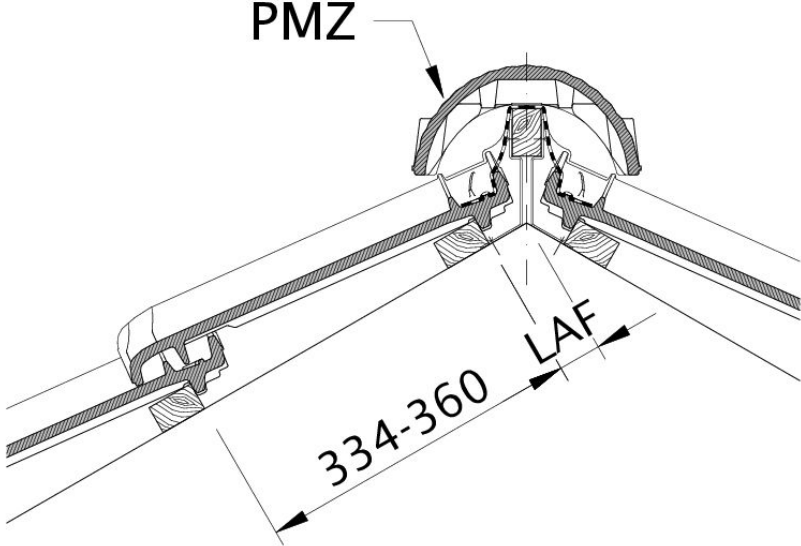


Drawing MZ3 roof cross-section DQF



Drawing MZ3 NEU general view GES





Drawing MZ3 distance from batten to ridge intersection point, ridge batten spacing LAF

