

MAXIMA PRO

The multitalent for renovation and old buildings.

- Ideal tile for replacing old roofing that is in need of renovation. Fits easily alongside 10 format concrete roof tiles. This is the ideal tile for terraced houses
- Exceptional versatility combined with a generous 41 mm adjustment range makes it quick and easy to install
- Its outstanding coverage makes it a true all-rounder
- Flash-free smooth transitions simplify the installation process
- Seamless transition to the next house roof

TECHNICAL DATA

Size (appr.)	329 x 397 mm
Covering width min. approx.	300 mm
Covering width on av. approx.	300 mm
Max. coverage width (approx.)	300 mm
Min. gauge (approx.)	310 mm
Covering length on av. approx.	330 mm
Max. gauge (approx.)	350 mm
Tile requirement min. (approx.)	9.5 pcs/m ²
Average tile requirement (approx.)	10.1 pcs/m ²
Brickware max. approx.	10.8 pcs/m ²
Unit weight (approx.)	3.7 kg/piece
Weight per m ² (approx.)	36.9 kg/m ²
Weight per pallet (approx.)	888 kg
Pcs per mini-pack	4 piece
Pcs per pallet	240 piece



APPLICATIONS

ADDITIONAL MEASURES ACCORDING TO CREATON MANUFACTURER'S SPECIFICATIONS	
Standard roof pitch CREATON DE in combination with additional measures according to manufacturer's specifications Standard roof pitch CREATON DE in combination with additional measures according to manufacturer's specifications	16 °
Installation of a trussing sheet/glued sub-roof without nail seals, possible CREATON products: DUO extra, DUO longlife ND extra, TRIO extra, QUATTRO longlife extra	≥ 16 °
Installation of a trussing sheet/glued sub-roof without nail seals, possible CREATON products: DUO longlife ND extra	≥ 14 °
Installation of a trussing sheet/glued sub-roof with nail seals, possible CREATON products: DUO extra, DUO longlife ND extra, TRIO extra, QUATTRO longlife extra	≥ 14 °
Installation as a rainproof sub-roof, possible CREATON products: DUO longlife ND extra, TRIO extra, QUATTRO longlife extra	≥ 12 °
Installation as a watertight sub-roof, possible CREATON products: QUATTRO longlife extra	≥ 10 °
Installation as a watertight sub-roof welded in a 7° special solution, please observe separate installation guidelines, possible CREATON products: QUATTRO longlife extra	-

TECHNICAL INFORMATIONS

- The technical drawing shown is merely an example.
- According to the Central Association of the German Roofing Trade (ZVDH) rules for verge tiles, the distance between the inner edge of the verge lug and the outer edge of the gable wall or cladding must be at least 1 cm.
- Current national rules and standards apply to the execution of roofing work. These vary from country to country (e.g. ZVDH Rules, Austrian Standards) and must be taken into consideration during execution. As manufacturer's information, CREATON-specific information about the execution of the sub-roof is also applicable and is complementary to these. You can find them in our Roof Planner or at www.creaton.de / www.creaton.at.
- Please consider the sample letter for the standard CREATON roof pitches.



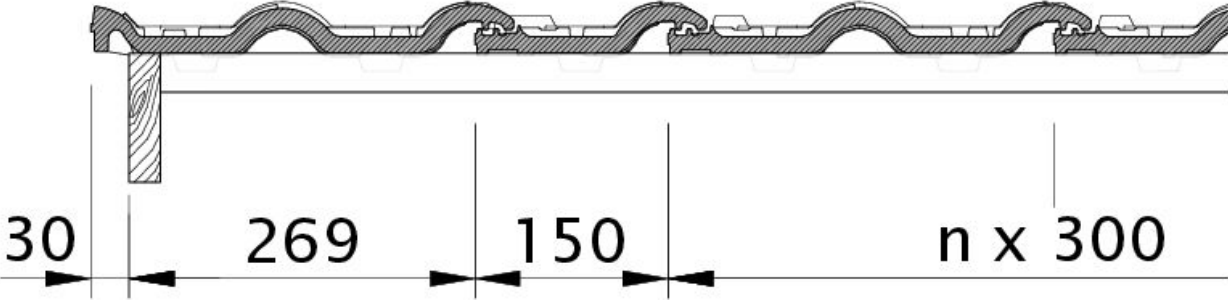
LAF-/FLA-VALUES

LAF-/FLA VALUES IN MM WITH FALZ FOR 30X50-BATTENS												
requirement ridgetile (approx.)	DN	10°	15°	20°	25°	30°	35°	40°	45°	50°	55°	60°
PT 2.5 pcs/m	LAF	115	110	100	100	100	100	100	100	105	110	110
PT 2.5 pcs/m	FLA	105	95	85	75	65	55	45	35	25	10	0

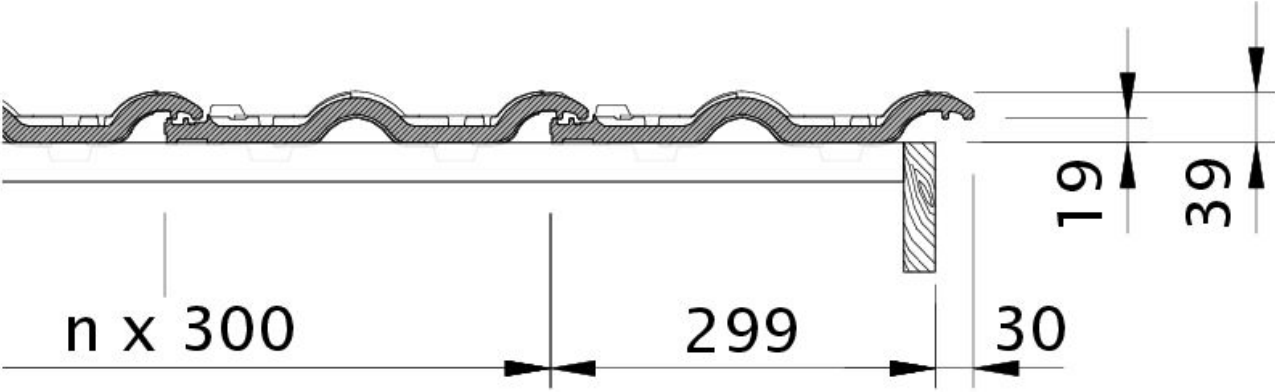
LAF-/FLA VALUES IN MM WITH FALZ FOR 40X60-BATTENS												
requirement ridgetile (approx.)	DN	10°	15°	20°	25°	30°	35°	40°	45°	50°	55°	60°
PT 2.5 pcs/m	LAF	115	110	100	95	95	95	95	90	90	95	95
PT 2.5 pcs/m	FLA	110	105	95	85	75	65	55	45	35	20	10

LAF-/FLA VALUES IN MM WITH FALZ FOR 50X50-BATTENS												
requirement ridgetile (approx.)	DN	10°	15°	20°	25°	30°	35°	40°	45°	50°	55°	60°
PT 2.5 pcs/m	LAF	110	105	95	90	90	85	85	80	80	85	85
PT 2.5 pcs/m	FLA	120	115	105	95	85	80	70	60	50	35	25



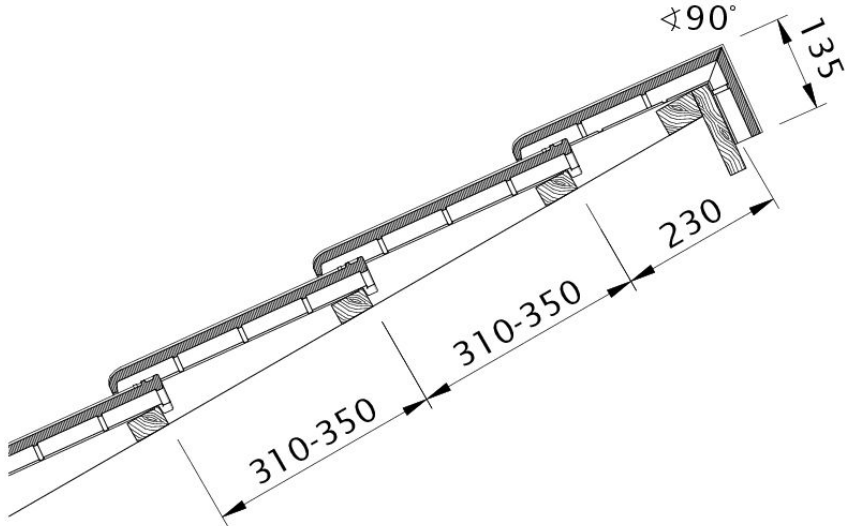


Drawing MAXIMA PRO verge left with verge sheet metal and double roll ODL

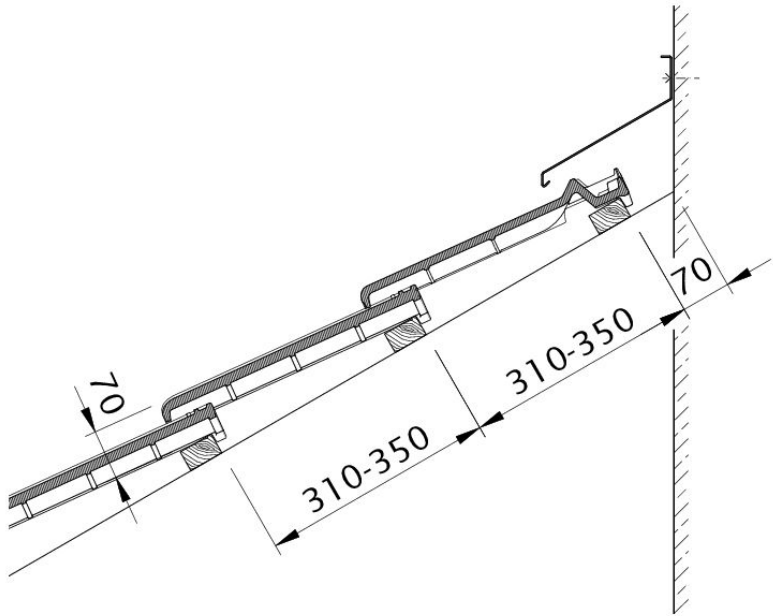


Drawing MAXIMA PRO verge right with verge sheet metal and field tile OFR



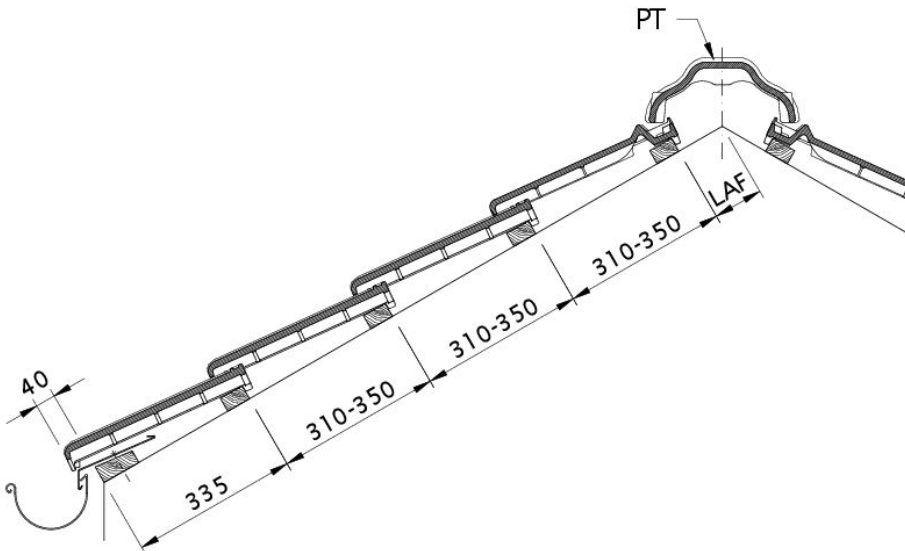


Drawing MAXIMA PRO shed roof version PDA

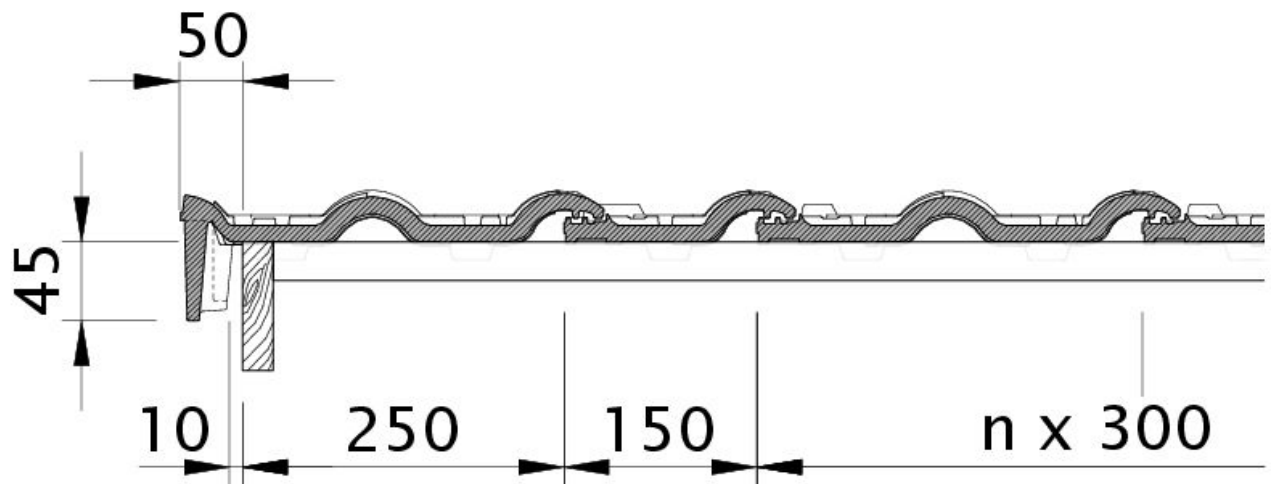


Drawing MAXIMA PRO wall connection (above) with FALZ WMF



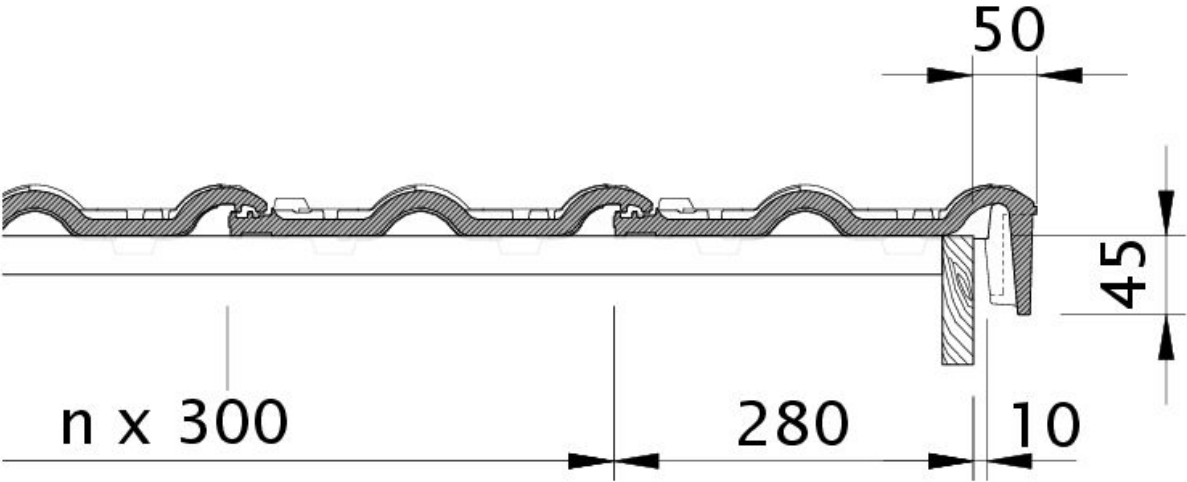


Drawing MAXIMA PRO roof cross-section DQF

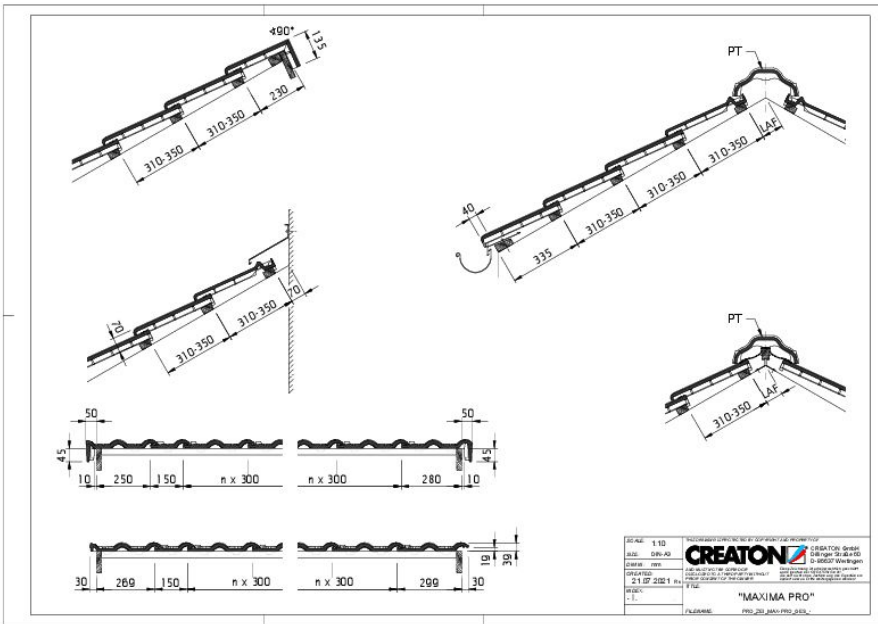


Drawing MAXIMA PRO verge tile left with barge board OBL



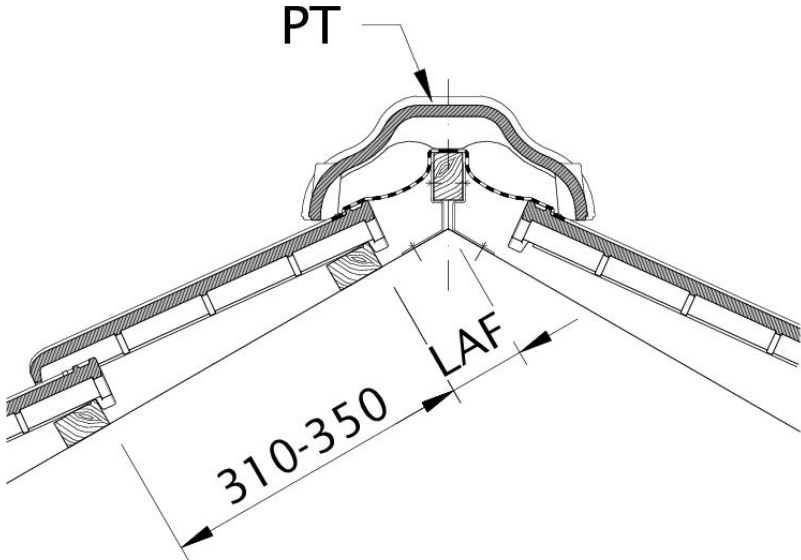


Drawing MAXIMA PRO verge tile right with barge board OBR



Drawing MAXIMA PRO general view GES





Drawing MAXIMA PRO distance from batten to ridge intersection point, ridge batten spacing LAF

