

MELODIE

The North roofs this easily.

- Also suitable for flat roofs with a pitch under 10°, with a waterproof sub-roof
- Exceptional versatility and ease of installation thanks to generous adjustment range of 35 mm
- A unit weight of only 3.2 kg makes this tile very easy to work with
- Sophisticated interlock technology allows water to drain away effectively and protects against rain intrusion

TECHNICAL DATA

Size (appr.)	255 x 440 mm
Covering width min. approx.	208 mm
Covering width on av. approx.	209 mm
Max. coverage width (approx.)	210 mm
Min. gauge (approx.)	314 mm
Covering length on av. approx.	330 mm
Max. gauge (approx.)	347 mm
Tile requirement min. (approx.)	13.7 pcs/m ²
Average tile requirement (approx.)	14.5 pcs/m ²
Brickware max. approx.	15.3 pcs/m ²
Unit weight (approx.)	3.3 kg/piece
Weight per m ² (approx.)	47.9 kg/m ²
Weight per pallet (approx.)	819 kg
Pcs per mini-pack	6 piece
Pcs per pallet	240 piece



APPLICATIONS

ADDITIONAL MEASURES ACCORDING TO CREATON MANUFACTURER'S SPECIFICATIONS	
Standard roof pitch CREATON DE in combination with additional measures according to manufacturer's specifications Standard roof pitch CREATON DE in combination with additional measures according to manufacturer's specifications	16 °
Installation of a trussing sheet/glued sub-roof without nail seals, possible CREATON products: DUO extra, DUO longlife ND extra, TRIO extra, QUATTRO longlife extra	≥ 16 °
Installation of a trussing sheet/glued sub-roof without nail seals, possible CREATON products: DUO longlife ND extra	≥ 14 °
Installation of a trussing sheet/glued sub-roof with nail seals, possible CREATON products: DUO extra, DUO longlife ND extra, TRIO extra, QUATTRO longlife extra	≥ 14 °
Installation as a rainproof sub-roof, possible CREATON products: DUO longlife ND extra, TRIO extra, QUATTRO longlife extra	≥ 12 °
Installation as a watertight sub-roof, possible CREATON products: QUATTRO longlife extra	≥ 10 °
Installation as a watertight sub-roof welded in a 7° special solution, please observe separate installation guidelines, possible CREATON products: QUATTRO longlife extra	-

TECHNICAL INFORMATIONS

- The technical drawing shown is merely an example.
- According to the Central Association of the German Roofing Trade (ZVDH) rules for verge tiles, the distance between the inner edge of the verge lug and the outer edge of the gable wall or cladding must be at least 1 cm.
- Current national rules and standards apply to the execution of roofing work. These vary from country to country (e.g. ZVDH Rules, Austrian Standards) and must be taken into consideration during execution. As manufacturer's information, CREATON-specific information about the execution of the sub-roof is also applicable and is complementary to these. You can find them in our Roof Planner or at www.creaton.de / www.creaton.at.
- Please consider the sample letter for the standard CREATON roof pitches.



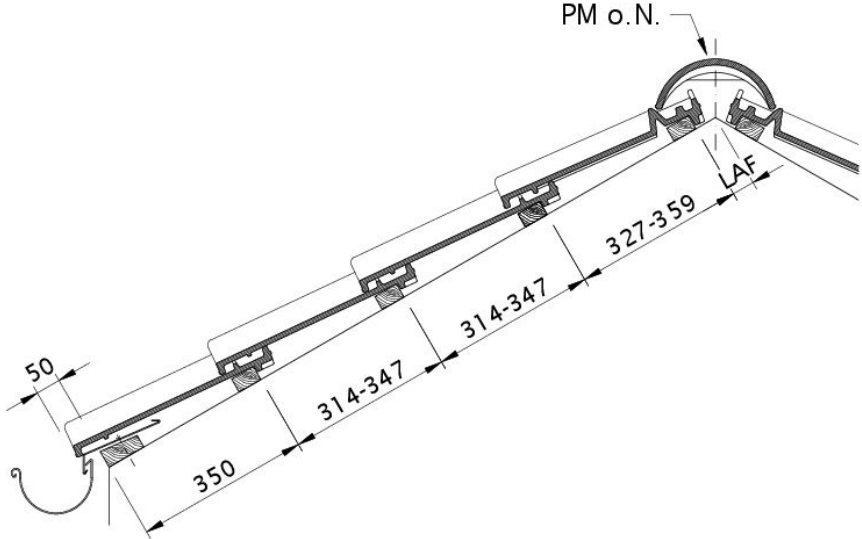
LAF-/FLA-VALUES

LAF-/FLA VALUES IN MM WITH FALZ FOR 30X50-BATTENS												
requirement ridgetile (approx.)	DN	10°	15°	20°	25°	30°	35°	40°	45°	50°	55°	60°
PMoN 2.8 pcs/m	LAF	50	50	45	40	30	20	15	15	15	10	10
PMoN 2.8 pcs/m	FLA	115	115	105	100	95	90	80	75	75	70	70
PZ 2.5 pcs/m	LAF	65	65	65	60	60	60	50	50	45	40	40
PZ 2.5 pcs/m	FLA	110	110	105	100	90	85	80	70	65	60	50

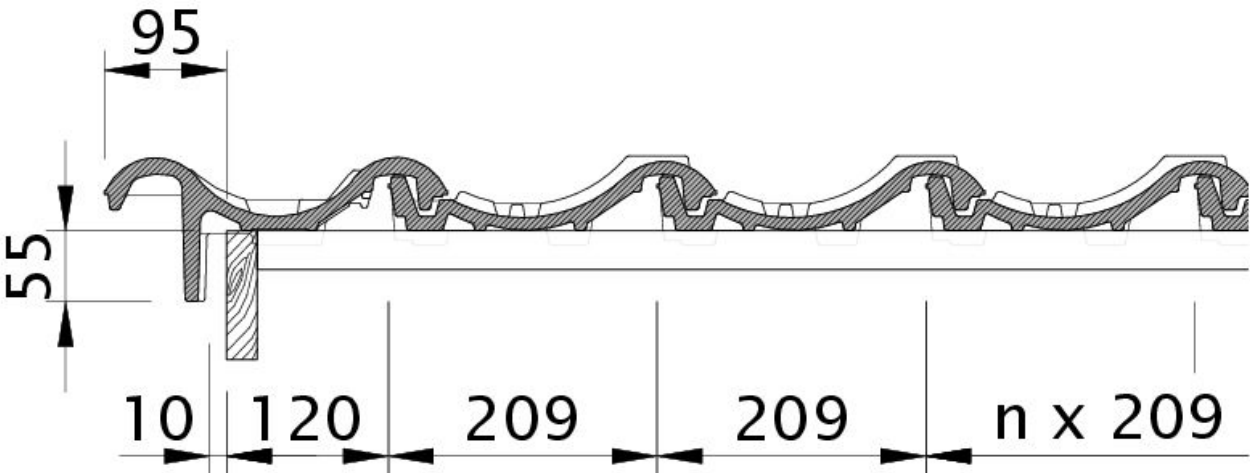
LAF-/FLA VALUES IN MM WITH FALZ FOR 40X60-BATTENS												
requirement ridgetile (approx.)	DN	10°	15°	20°	25°	30°	35°	40°	45°	50°	55°	60°
PMoN 2.8 pcs/m	LAF	50	50	45	35	25	15	10	10	10		
PMoN 2.8 pcs/m	FLA	125	125	115	110	105	100	90	85	80		
PZ 2.5 pcs/m	LAF	65	65	65	55	55	55	45	40	30	25	25
PZ 2.5 pcs/m	FLA	120	120	115	110	100	95	90	80	75	70	60

LAF-/FLA VALUES IN MM WITH FALZ FOR 50X50-BATTENS												
requirement ridgetile (approx.)	DN	10°	15°	20°	25°	30°	35°	40°	45°	50°	55°	60°
PMoN 2.8 pcs/m	LAF	45	45	40	30	20	5	0				
PMoN 2.8 pcs/m	FLA	135	135	125	120	115	115	105				
PZ 2.5 pcs/m	LAF	60	60	60	50	50	45	35	30	20	15	10
PZ 2.5 pcs/m	FLA	130	130	125	120	110	110	105	95	95	90	90



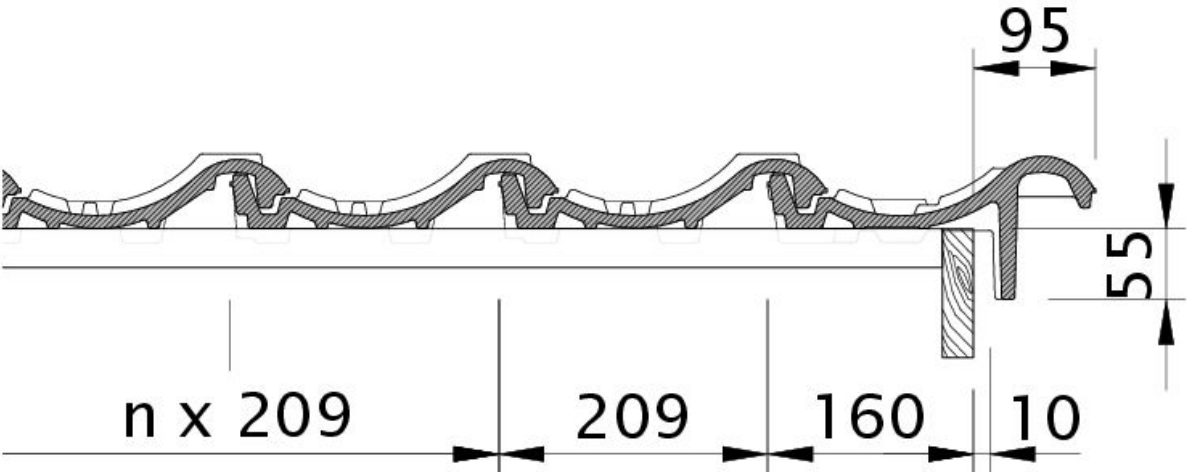


Drawing MELODIE roof cross-section DGF

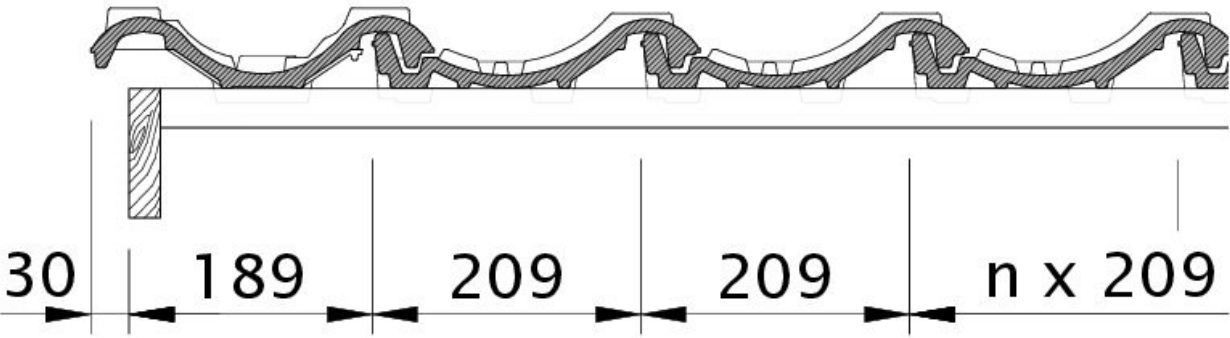


Drawing MELODIE verge tile left with barge board OBL



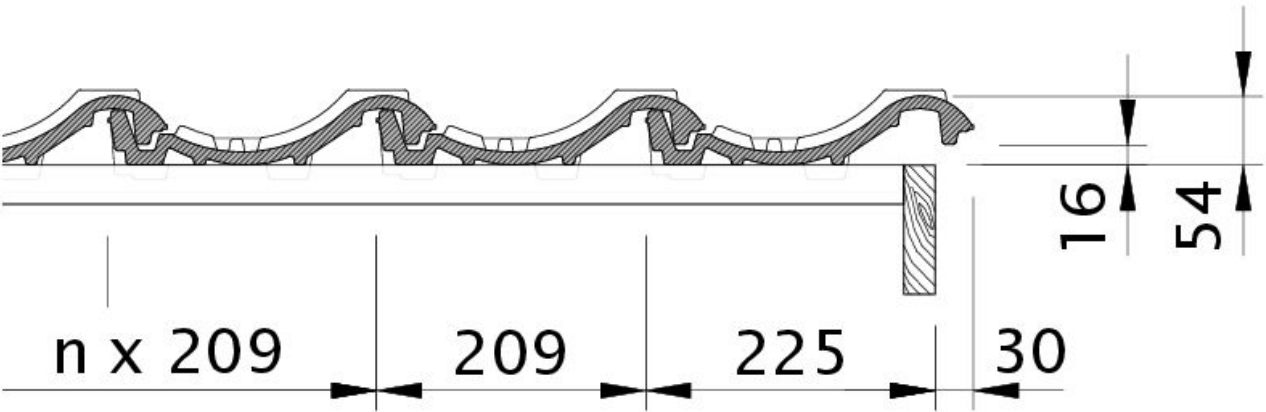


Drawing MELODIE verge tile right with barge board OBR

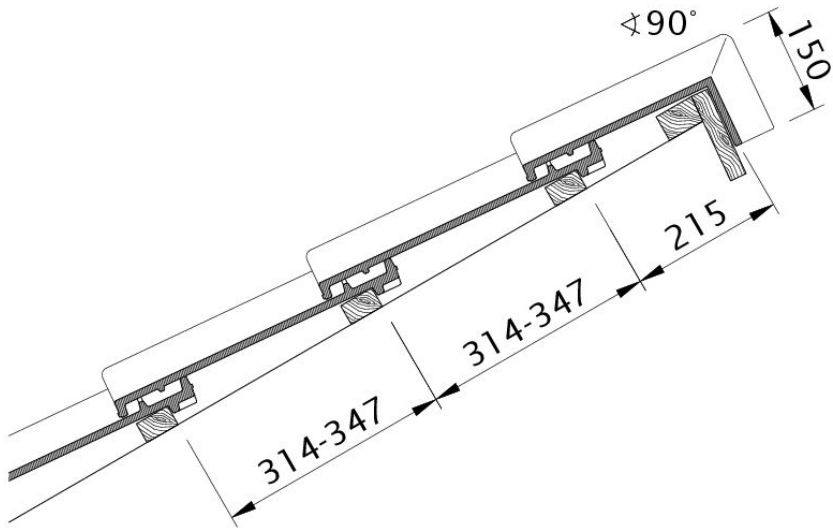


Drawing MELODIE verge left with verge sheet metal and double roll ODL



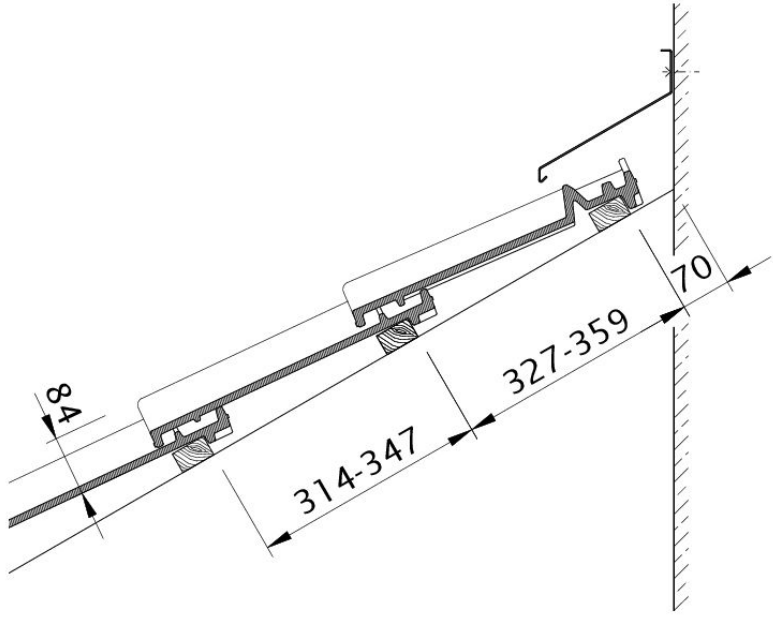


Drawing MELODIE verge right with verge sheet metal and field tile OFR

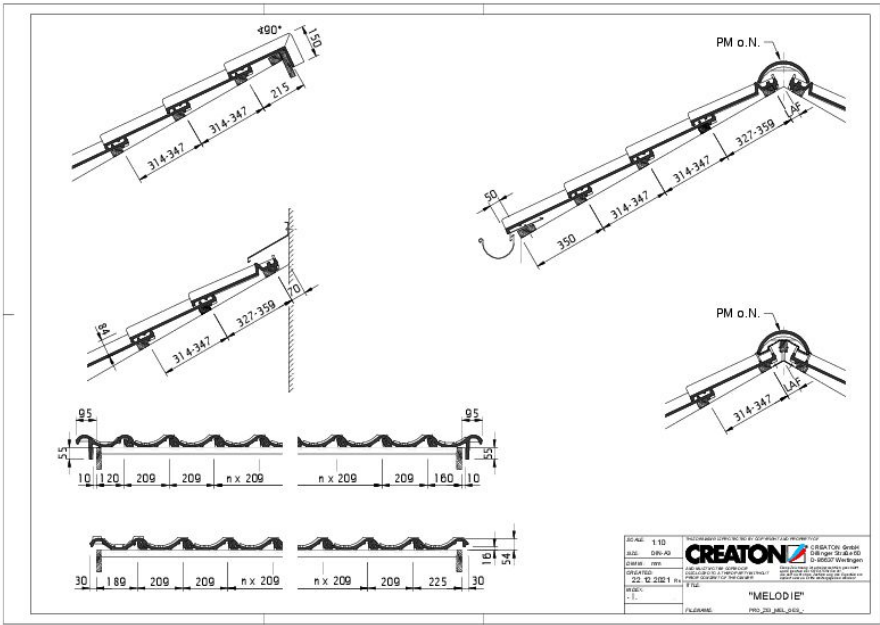


Drawing MELODIE shed roof version PDA



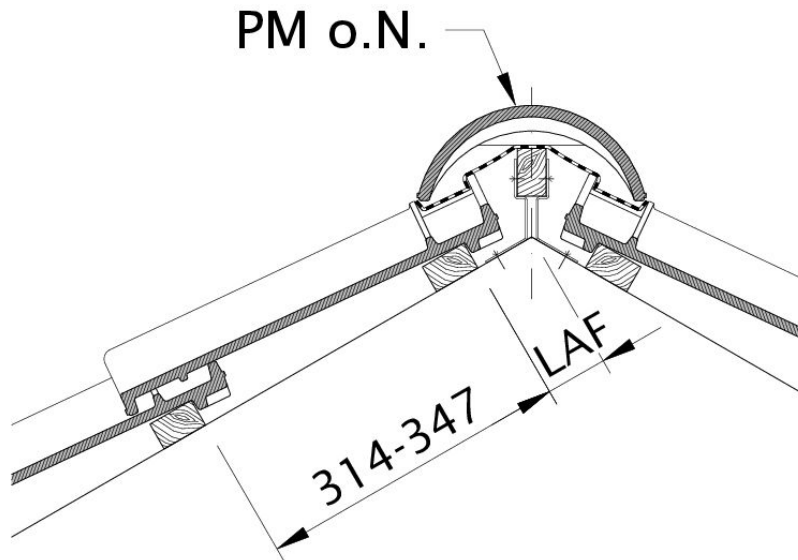


Drawing MELODIE wall connection (above) with FALZ WMF



Drawing MELODIE general view GES





Drawing MELODIE distance from batten to ridge intersection point, ridge batten spacing LAF

