

VISIO

Simply coloured throughout.

- The sinter firing process, at over 1,100°C (CREATON "HOCHBRANDFAKTOR"), ensures a uniform matte sheen surface. Tiles become stronger, more homogeneous and have a greater clay density
- Sophisticated interlock technology allows water to drain away effectively and protects against rain intrusion. Rear ribs ensure condensed water drains away reliably.
- Homogeneous tile body with a beautiful even colour thanks to the finest "KERALIS" raw materials and meticulous processing. No more need to rework cut or damaged edges.
- Extensive accessory range includes half verge tiles, which enable the half offset pattern to begin at the verge

TECHNICAL DATA

Size (appr.)	265 x 450 mm
Covering width min. approx.	220 mm
Covering width on av. approx.	221 mm
Max. coverage width (approx.)	222 mm
Min. gauge (approx.)	350 mm
Covering length on av. approx.	365 mm
Max. gauge (approx.)	380 mm
Tile requirement min. (approx.)	11.8 pcs/m ²
Average tile requirement (approx.)	12.4 pcs/m ²
Brickware max. approx.	13.0 pcs/m ²
Unit weight (approx.)	3.5 kg/piece
Weight per m ² (approx.)	43.4 kg/m ²
Weight per pallet (approx.)	865 kg
Pcs per mini-pack	5 piece
Pcs per pallet	240 piece



APPLICATIONS

ADDITIONAL MEASURES ACCORDING TO CREATON MANUFACTURER'S SPECIFICATIONS	
Standard roof pitch CREATON DE in combination with additional measures according to manufacturer's specifications Standard roof pitch CREATON DE in combination with additional measures according to manufacturer's specifications	18 °
Installation of a trussing sheet/glued sub-roof without nail seals, possible CREATON products: DUO extra, DUO longlife ND extra, TRIO extra, QUATTRO longlife extra	≥ 18 °
Installation of a trussing sheet/glued sub-roof without nail seals, possible CREATON products: DUO longlife ND extra	≥ 16 °
Installation of a trussing sheet/glued sub-roof with nail seals, possible CREATON products: DUO extra, DUO longlife ND extra, TRIO extra, QUATTRO longlife extra	≥ 16 °
Installation as a rainproof sub-roof, possible CREATON products: DUO longlife ND extra, TRIO extra, QUATTRO longlife extra	≥ 14 °
Installation as a watertight sub-roof, possible CREATON products: QUATTRO longlife extra	≥ 10 °
Installation as a watertight sub-roof welded in a 7° special solution, please observe separate installation guidelines, possible CREATON products: QUATTRO longlife extra	-

TECHNICAL INFORMATIONS

- The technical drawing shown is merely an example.
- According to the Central Association of the German Roofing Trade (ZVDH) rules for verge tiles, the distance between the inner edge of the verge lug and the outer edge of the gable wall or cladding must be at least 1 cm.
- Current national rules and standards apply to the execution of roofing work. These vary from country to country (e.g. ZVDH Rules, Austrian Standards) and must be taken into consideration during execution. As manufacturer's information, CREATON-specific information about the execution of the sub-roof is also applicable and is complementary to these. You can find them in our Roof Planner or at www.creaton.de / www.creaton.at.
- Please consider the sample letter for the standard CREATON roof pitches.



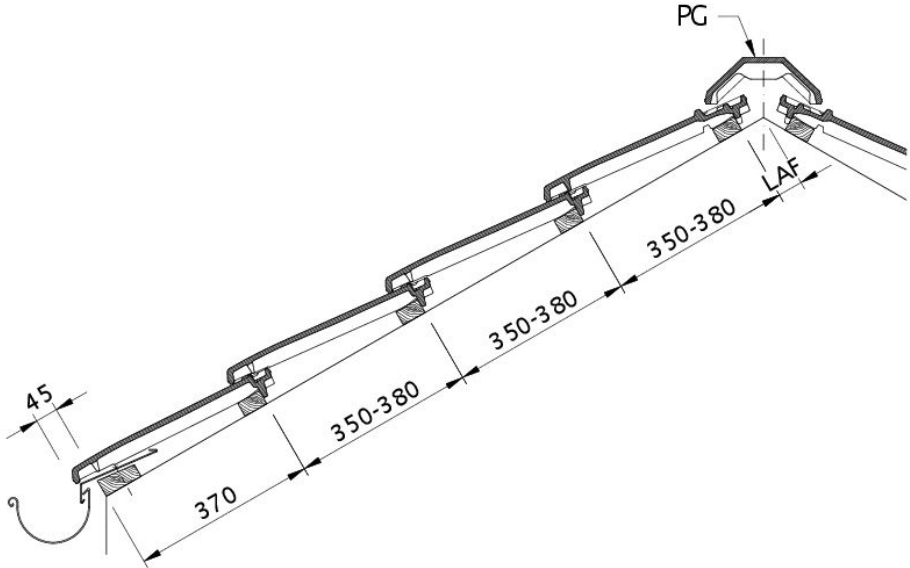
LAF-/FLA-VALUES

LAF-/FLA VALUES IN MM WITH FALZ FOR 30X50-BATTENS												
requirement ridgetile (approx.)	DN	10°	15°	20°	25°	30°	35°	40°	45°	50°	55°	60°
PG 2.5 pcs/m	LAF	65	60	60	55	50	45	40	40	30	20	20
PG 2.5 pcs/m	FLA	100	95	85	80	70	65	60	55	50	40	40

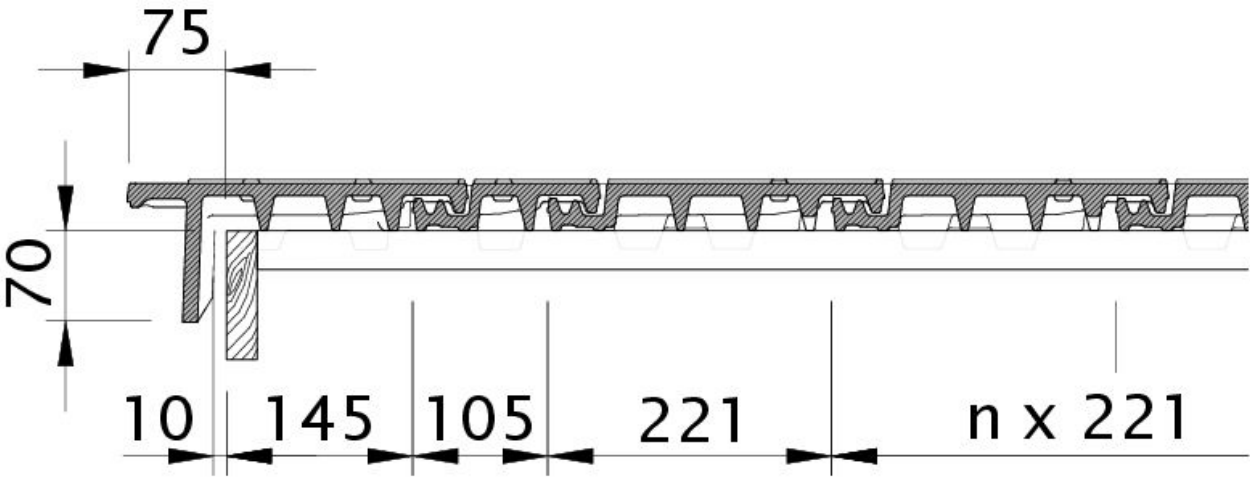
LAF-/FLA VALUES IN MM WITH FALZ FOR 40X60-BATTENS												
requirement ridgetile (approx.)	DN	10°	15°	20°	25°	30°	35°	40°	45°	50°	55°	60°
PG 2.5 pcs/m	LAF	65	60	60	50	45	40	35	30	15	5	5
PG 2.5 pcs/m	FLA	110	105	95	90	80	75	70	65	60	50	50

LAF-/FLA VALUES IN MM WITH FALZ FOR 50X50-BATTENS											
requirement ridgetile (approx.)	DN	10°	15°	20°	25°	30°	35°	40°	45°	50°	
PG 2.5 pcs/m	LAF	60	55	55	45	40	30	25	20	5	
PG 2.5 pcs/m	FLA	120	115	105	100	90	90	85	80	75	



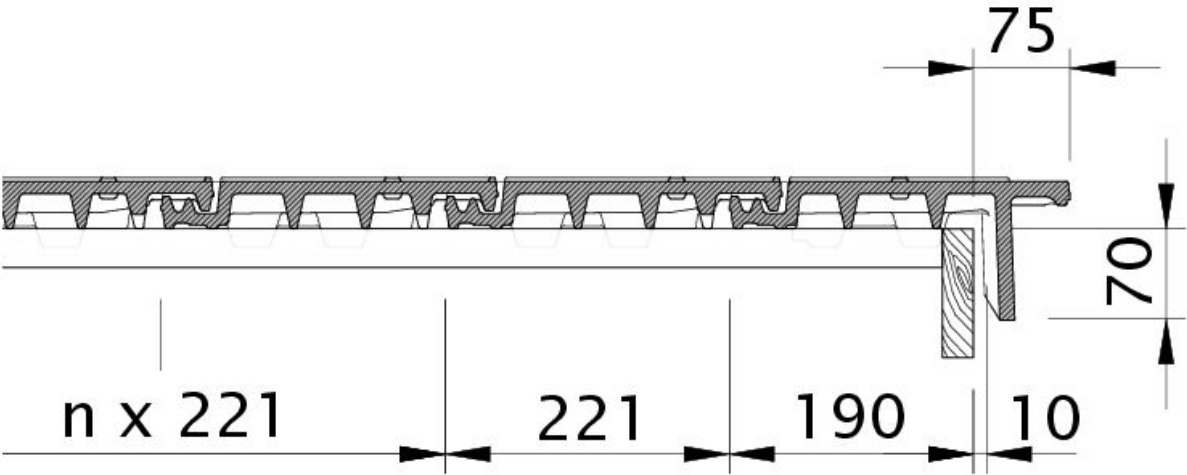


Drawing VISIO roof cross-section DQF

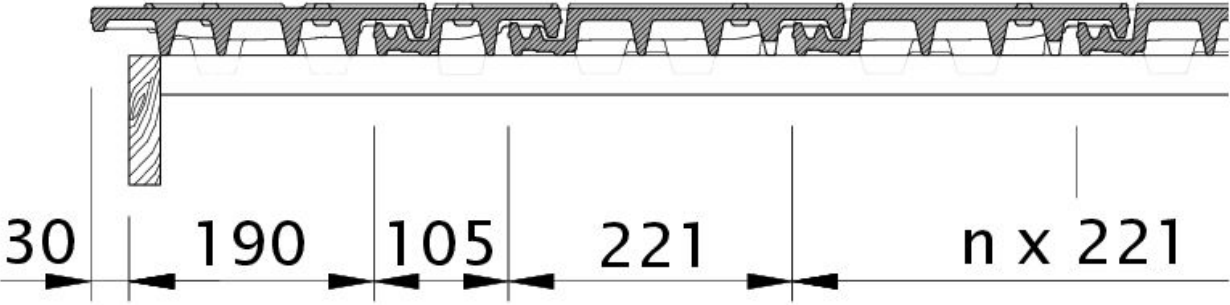


Drawing VISIO verge left with barge board OBL



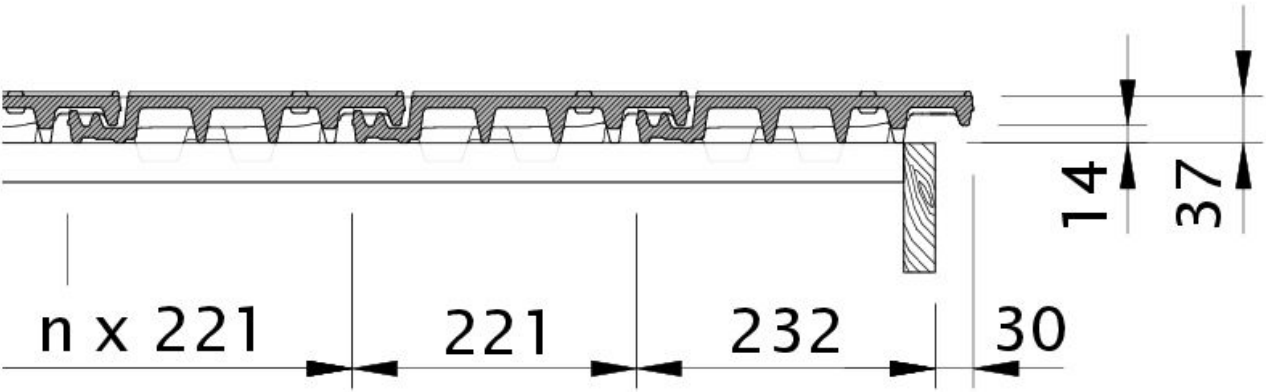


Drawing VISIO verge right with barge board OBR

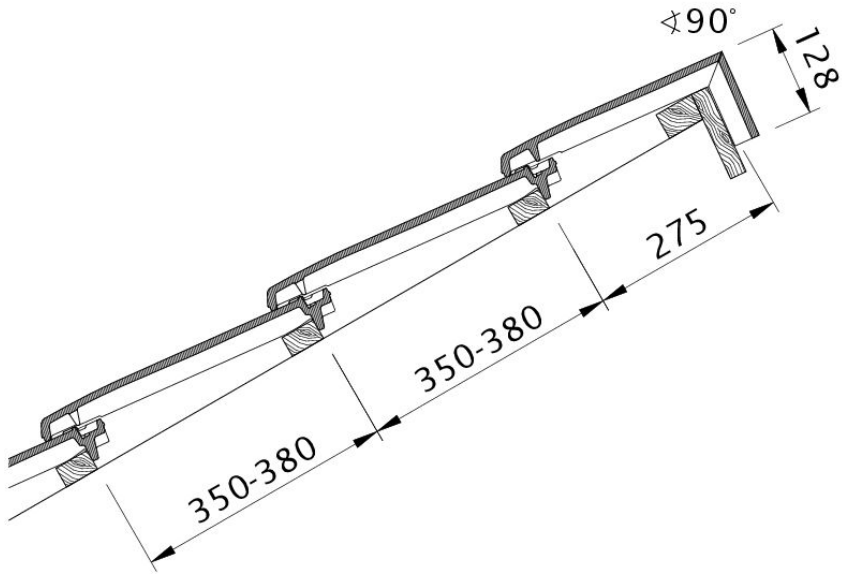


Drawing VISIO verge left with verge sheet metal and double roll ODL



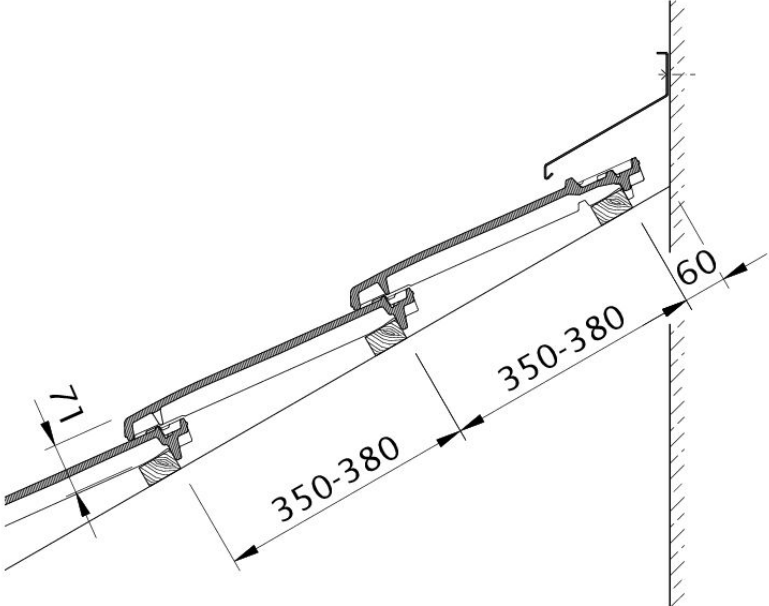


Drawing VISIO verge right with verge sheet metal and field tile OFR

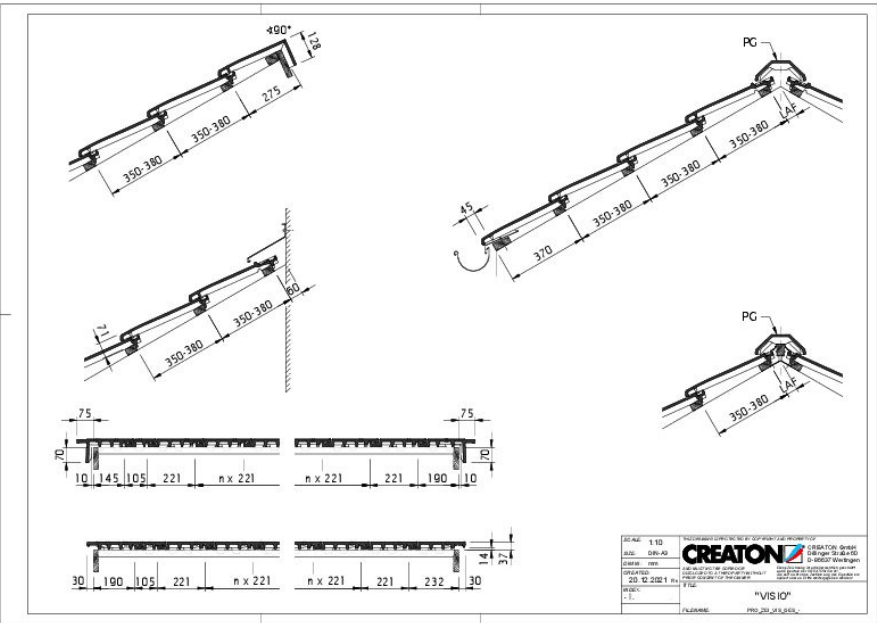


Drawing VISIO shed roof version PDA



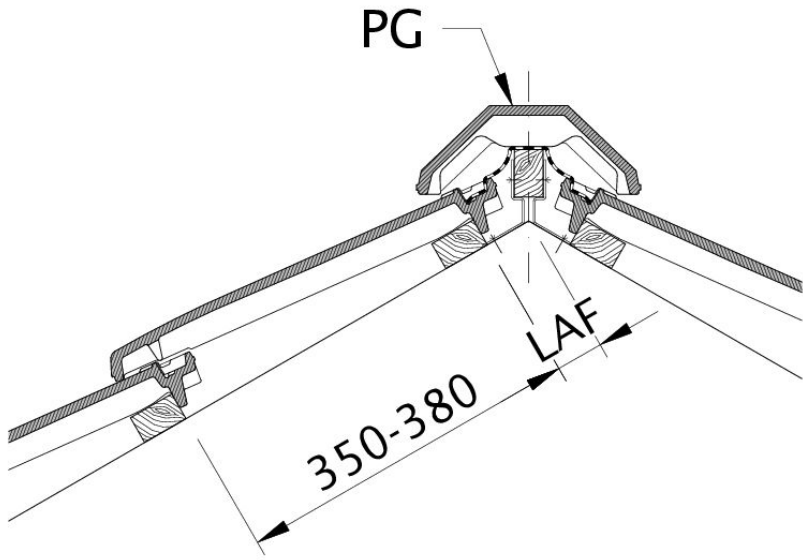


Drawing VISIO wall connection WMF



Drawing VISIO general view GES





Drawing VISIO distance from batten to ridge intersection point, ridge batten spacing LAF

