

MAGNUM

The economical large tile.

- High cost-effectiveness thanks to mega format
- Combination of size and quality without compromises due to premium technology
- Seamless overlap and optimal flow behaviour
- Three stable suspension lugs ensure a secure hold and reliable circulation around roof battens
- The interlock, water control and especially favourable cw value make MAGNUM an outstanding tile that is suitable for both very flat and very steep roofs
- Even with strong winds, the penetration of rainwater is prevented by the "labyrinth technology", with five specially shaped and extremely pronounced side ribs

TECHNICAL DATA

Size (appr.)	357 x 495 mm
Covering width min. approx.	295 mm
Covering width on av. approx.	296 mm
Max. coverage width (approx.)	297 mm
Min. gauge (approx.)	390 mm
Covering length on av. approx.	400 mm
Max. gauge (approx.)	411 mm
Tile requirement min. (approx.)	8.2 pcs/m ²
Average tile requirement (approx.)	8.5 pcs/m ²
Brickware max. approx.	8.7 pcs/m ²
Unit weight (approx.)	4.9 kg/piece
Weight per m ² (approx.)	41.7 kg/m ²
Weight per pallet (approx.)	848 kg
Pcs per mini-pack	4 piece
Pcs per pallet	168 piece



APPLICATIONS

ADDITIONAL MEASURES ACCORDING TO CREATON MANUFACTURER'S SPECIFICATIONS	
Standard roof pitch CREATON DE in combination with additional measures according to manufacturer's specifications Standard roof pitch CREATON DE in combination with additional measures according to manufacturer's specifications	16 °
Installation of a trussing sheet/glued sub-roof without nail seals, possible CREATON products: DUO extra, DUO longlife ND extra, TRIO extra, QUATTRO longlife extra	≥ 16 °
Installation of a trussing sheet/glued sub-roof without nail seals, possible CREATON products: DUO longlife ND extra	≥ 14 °
Installation of a trussing sheet/glued sub-roof with nail seals, possible CREATON products: DUO extra, DUO longlife ND extra, TRIO extra, QUATTRO longlife extra	≥ 14 °
Installation as a rainproof sub-roof, possible CREATON products: DUO longlife ND extra, TRIO extra, QUATTRO longlife extra	≥ 12 °
Installation as a watertight sub-roof, possible CREATON products: QUATTRO longlife extra	≥ 10 °
Installation as a watertight sub-roof welded in a 7° special solution, please observe separate installation guidelines, possible CREATON products: QUATTRO longlife extra	-

TECHNICAL INFORMATIONS

- The technical drawing shown is merely an example.
- According to the Central Association of the German Roofing Trade (ZVDH) rules for verge tiles, the distance between the inner edge of the verge lug and the outer edge of the gable wall or cladding must be at least 1 cm.
- Current national rules and standards apply to the execution of roofing work. These vary from country to country (e.g. ZVDH Rules, Austrian Standards) and must be taken into consideration during execution. As manufacturer's information, CREATON-specific information about the execution of the sub-roof is also applicable and is complementary to these. You can find them in our Roof Planner or at www.creaton.de / www.creaton.at.
- Please consider the sample letter for the standard CREATON roof pitches.



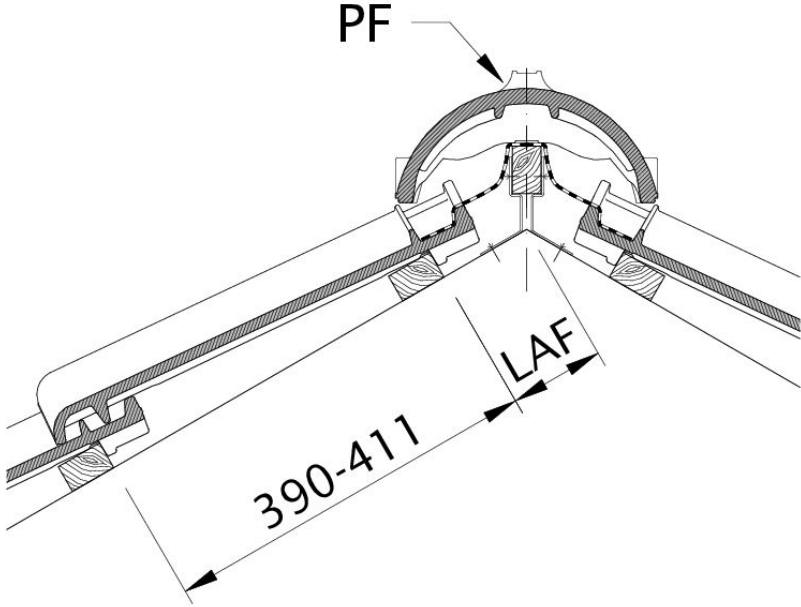
LAF-/FLA-VALUES

LAF-/FLA VALUES IN MM WITH FALZ FOR 30X50-BATTENS												
requirement ridgetile (approx.)	DN	10°	15°	20°	25°	30°	35°	40°	45°	50°	55°	60°
PF 2.5 pcs/m	LAF	110	110	110	100	100	100	90	90	90	90	90
PF 2.5 pcs/m	FLA	100	95	90	80	70	60	50	40	30	20	10

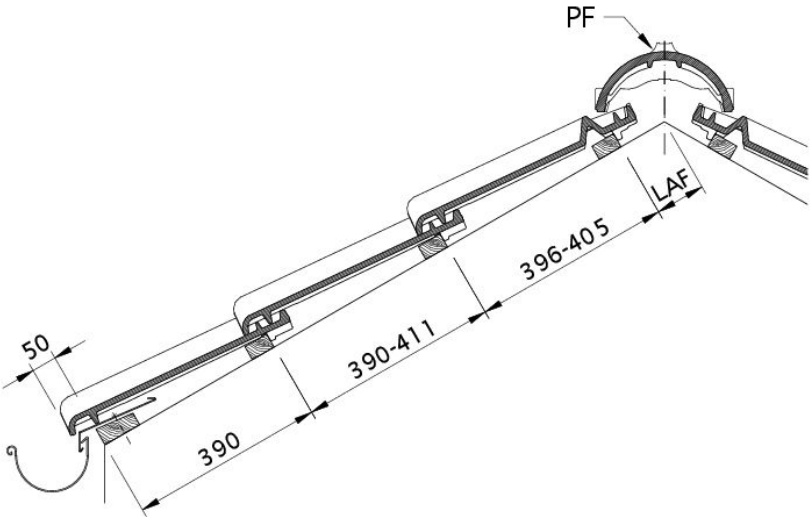
LAF-/FLA VALUES IN MM WITH FALZ FOR 40X60-BATTENS												
requirement ridgetile (approx.)	DN	10°	15°	20°	25°	30°	35°	40°	45°	50°	55°	60°
PF 2.5 pcs/m	LAF	110	110	110	95	95	95	85	80	75	75	75
PF 2.5 pcs/m	FLA	110	105	100	90	80	70	60	50	40	30	20

LAF-/FLA VALUES IN MM WITH FALZ FOR 50X50-BATTENS												
requirement ridgetile (approx.)	DN	10°	15°	20°	25°	30°	35°	40°	45°	50°	55°	60°
PF 2.5 pcs/m	LAF	105	105	105	90	90	85	75	70	65	65	60
PF 2.5 pcs/m	FLA	120	115	110	100	90	85	75	65	60	50	50



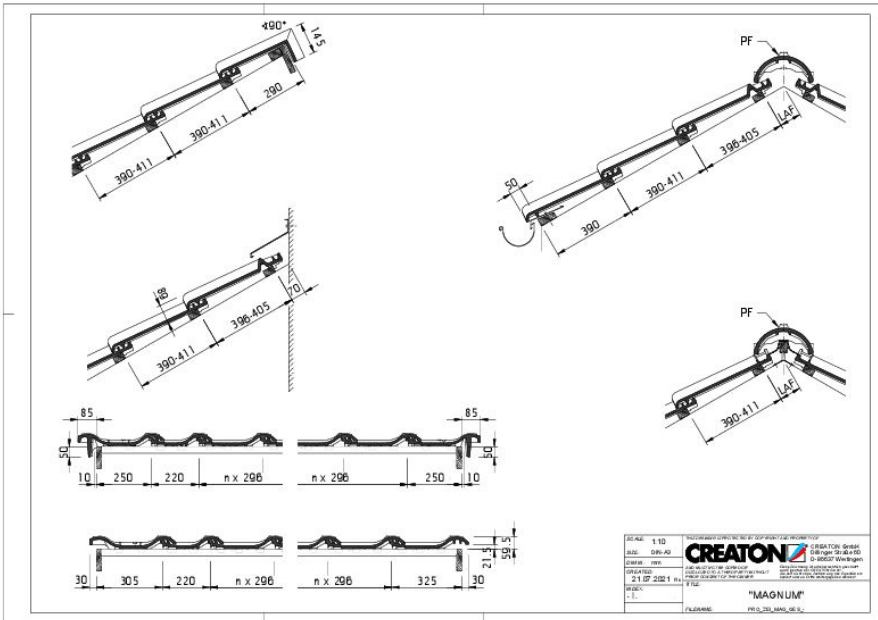


Drawing MAGNUM distance from batten to ridge intersection point, ridge batten spacing LAF

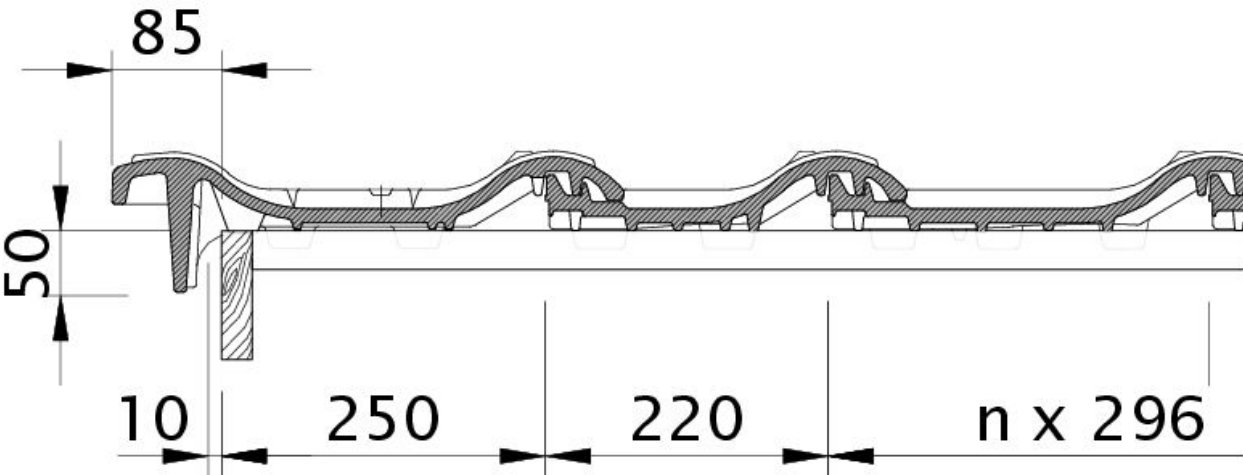


Drawing MAGNUM roof cross-section DQF



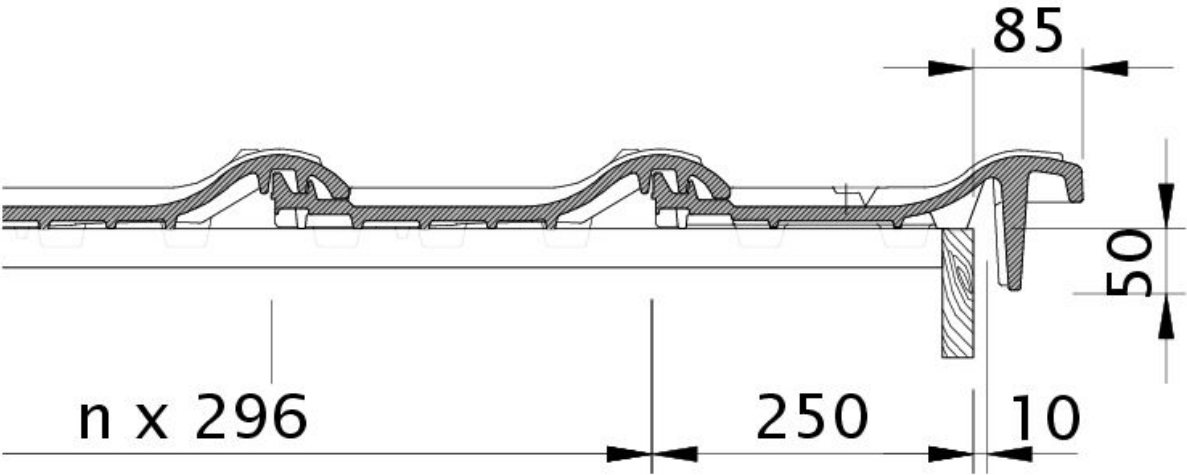


Drawing MAGNUM general view GES

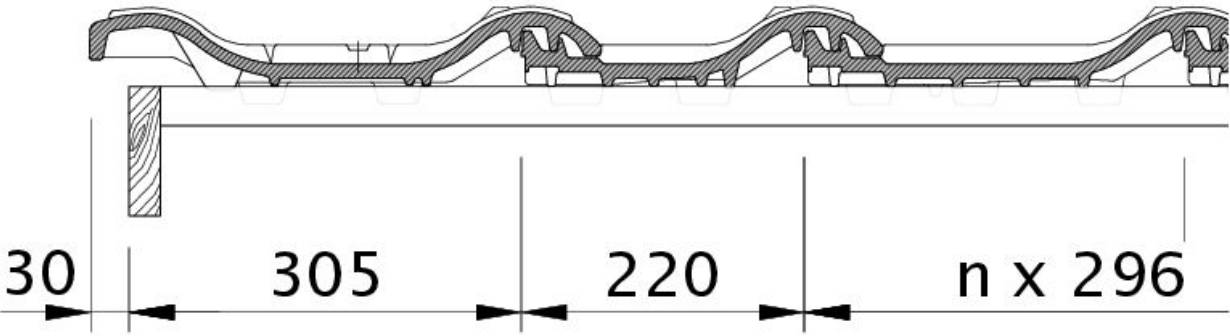


Drawing MAGNUM verge tile left with barge board OBL



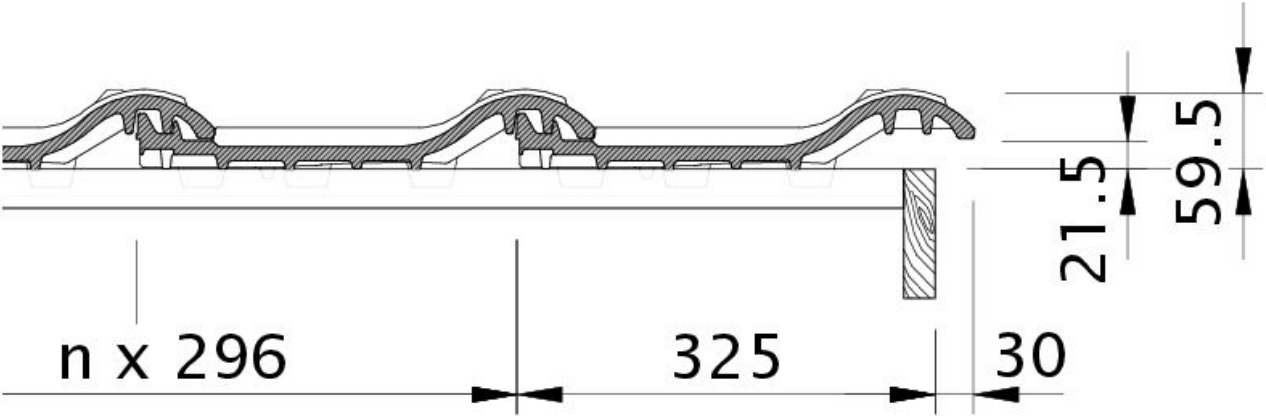


Drawing MAGNUM verge tile right with barge board OBR

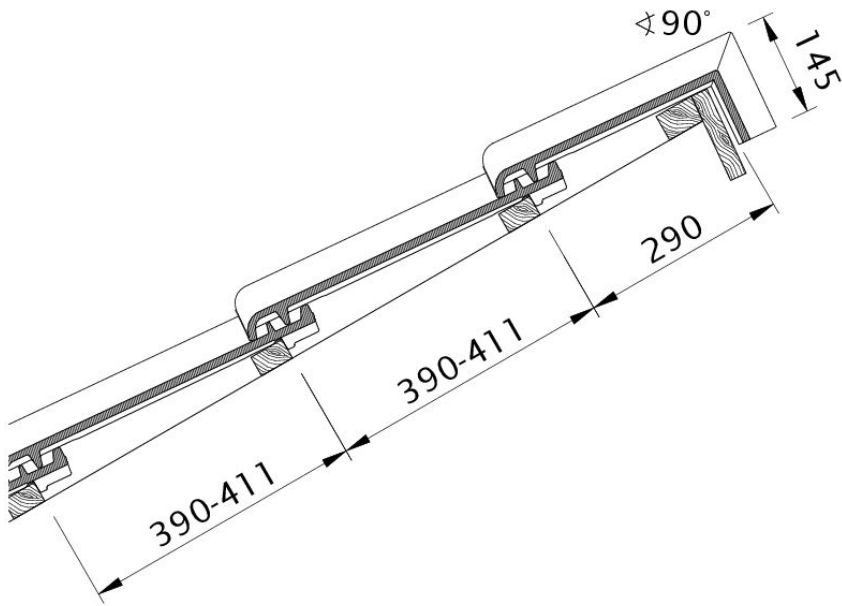


Drawing MAGNUM verge left with verge sheet metal and double roll ODL



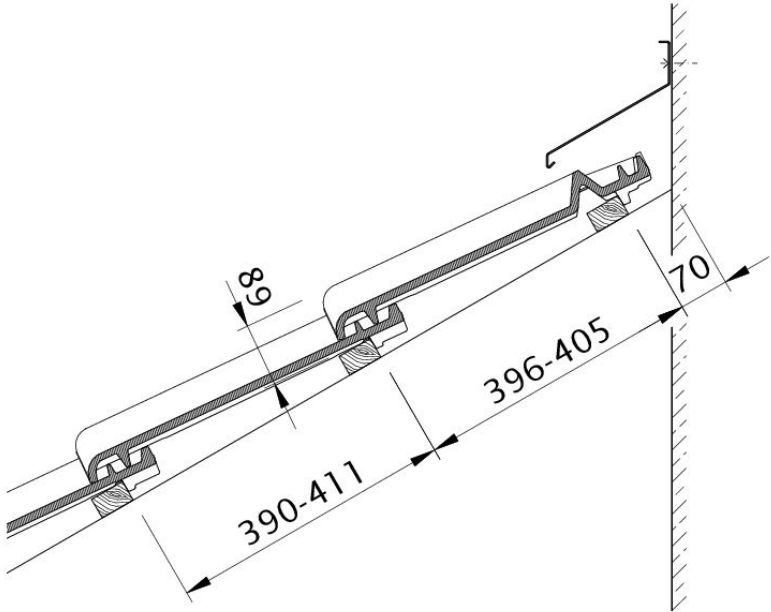


Drawing MAGNUM verge right with verge sheet metal and field tile OFR



Drawing MAGNUM shed roof version PDA





Drawing MAGNUM wall connection (above) with FALZ WMF

